



Federal Office
for Information Security

Technical Guideline TR-03130-3 eID-Server – Part 3: eIDAS-Middleware-Service for eIDAS-Token

Version 1.0
5. May 2017



Federal Office for Information Security
Post Box 20 03 63
D-53133 Bonn
Phone: +49 22899 9582-0
E-Mail: eid@bsi.bund.de
Internet: <https://www.bsi.bund.de>
© Federal Office for Information Security 2017

Table of Contents

1	Introduction.....	4
1.1	Key Words.....	4
1.2	Robustness Principle.....	4
2	Interfaces.....	5
2.1	SAML Service.....	5
2.1.1	Activation Link.....	5
2.1.2	TC Token.....	6
2.2	Server-SAL.....	6
2.3	PKI Communication.....	6
3	Authentication.....	7
3.1	Process Flow.....	7
3.2	Attribute Mapping.....	8
4	General Requirements.....	10
4.1	Compliance to the eIDAS Regulation.....	10
4.2	Supported eID-Cards.....	10
4.3	Interfaces.....	10
4.4	HTTP Communication.....	10
4.5	SAML.....	10
4.6	TLS.....	10
4.7	Key Generation and Storage.....	11
4.8	Deployment.....	11
4.9	Active Web Content.....	11
4.10	Developer Mode.....	11
4.11	Updates.....	12
	Reference Documentation.....	13

List of Figures

Figure 1: eIDAS interoperability architecture.....	4
Figure 2: Components and interfaces.....	5
Figure 3: Authentication Flow.....	8

1 Introduction

This Technical Guideline specifies the eIDAS-Middleware-Service for the integration of eIDAS-Token based eID schemes (EAC2 – see [TR-03110]) into the European Interoperability Framework according to the eIDAS regulation (see [eIDAS]), the implementing act defining the interoperability framework (see [eIDAS IF]) and the corresponding technical specifications (see [eIDAS Arch], [eIDAS Message], [eIDAS Attributes] and [eIDAS Crypto]).

The eIDAS-Middleware-Service is based on the eCard-API-Framework and implements the functions of this API necessary to support Online-Authentication as the counterpart of the eID-Client used by the citizen. Furthermore, the eIDAS-Middleware-Service communicates with the Authorization CA to retrieve authorization certificates and black lists.

This specification supports the identification of natural persons according to [eIDAS IF]. Organizational processes, e.g. delivery of the software or registering with an Authorization CA are out of scope of this document.

1.1 Key Words

The key words “MUST”, “MUST NOT”, “REQUIRED”, “SHALL”, “SHALL NOT”, “SHOULD”, “SHOULD NOT”, “RECOMMENDED”, “MAY”, and “OPTIONAL” in this document are to be interpreted as described in [RFC2119]. The key word “CONDITIONAL” is to be interpreted as follows:

CONDITIONAL: The usage of an item is dependent on the usage of other items. It is therefore further qualified under which conditions the item is REQUIRED or RECOMMENDED.

1.2 Robustness Principle

Implementations according to this Technical Guideline SHALL follow the robustness principle, also known as Postel's Law:

**“Implementations should follow a general principle of robustness:
be conservative in what you do, be liberal in what you accept from others.”**

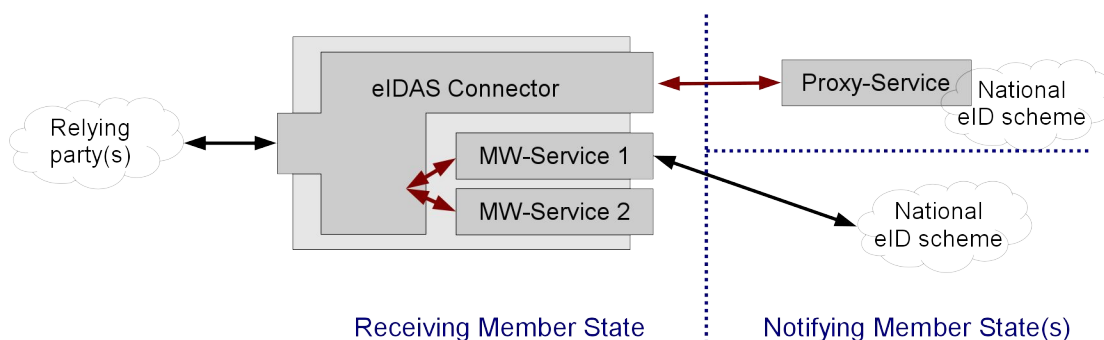


Figure 1: eIDAS interoperability architecture

2 Interfaces

The eIDAS Middleware comprises three interface components:

- The **SAML Service** component communicates with the eIDAS Connector where the eIDAS Middleware Service is deployed. The communication is SAML-based and specified in [eIDAS Arch]/[eIDAS Message]. Further, it takes the role of the eService as specified in [TR-03124], part 1, i.e. delivers the invocation link to activate the eID-Client to the browser and the TC Token to the eID-Client.
- The **Server-SAL** operates as Attached eID-Server (see [TR-03124], part 1), implements the necessary functionality from [TR-03112] and communicates with the Client-SAL (as part of the eID-Client) according to that Technical guideline.
- The **PKI communication** component for communication with the Authorization CA according to [TR-03129] to retrieve authorization certificates and black lists.

The internal architecture of the eIDAS Middleware Service is out of scope of this Technical Guideline.

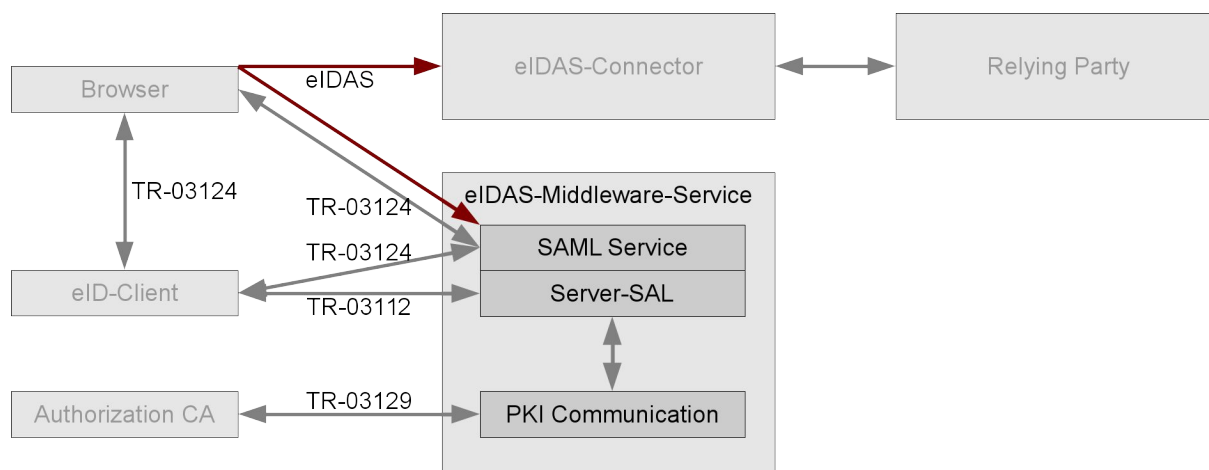


Figure 2: Components and interfaces

2.1 SAML Service

The SAML Service component SHALL implement the interface to the eIDAS Connector as specified in [eIDAS Arch]. The interface is based on SAML (see [SAML-Core]). Both Redirect and POST-Binding SHALL be supported for receiving SAML-Requests. POST-Binding SHALL be supported to return the SAML-Assertion (see [SAML-Binding]).

2.1.1 Activation Link

The SAML Service component SHALL provide web pages containing activation links according to [TR-03124] part 1, section 2.3.

- The `tcTokenURL` contained in the link SHALL contain a freshly generated random identifier.

2.1.2 TC Token

The SAML Service component SHALL provide TC Tokens according to [TR-03124] part 1, section 2.4, with the following elements:

- `ServerAddress` (REQUIRED)
MUST point to the Server-SAL component.
- `SessionIdentifier` (REQUIRED)
- `RefreshAddress` (REQUIRED)
MUST point back to the SAML Service. The `RefreshAddress` SHALL contain a randomly generated identifier.
- `CommunicationErrorAddress` (OPTIONAL)
- `Binding` (REQUIRED)

`PathSecurity-Protocol` and `PathSecurity-Parameters` MUST NOT be present since the attached communication model is used.

The SAML Service MUST enforce the binding between the SAML communication, the communication to the browser/to the eID-Client using the identifiers contained in the SAML-Request, the activation link and the `RefreshAddress / SessionIdentifier`.

2.2 Server-SAL

The Server-SAL SHALL operate as an Attached eID-Server according to [TR-03124], part 1, and implement the server side of Online Authentication according to [TR-03124], part 1, section 2.5.

The Server-SAL SHALL implement the following commands of the eCard-API [TR-03112]:

- As callee:
 - `StartPAOS` ([TR-03112], part 7) (REQUIRED)
- As caller:
 - `DIDAuthenticate` ([TR-03112], part 4) with support for `AuthenticationProtocolData` of type `EAC1InputType` and `EAC2InputType` ([TR-03112], part 7) (REQUIRED)
 - `Transmit` ([TR-03112], part 6), including batched transmission of APDUs (REQUIRED)

2.3 PKI Communication

The eIDAS-Middleware-Service SHALL implement a communication interface according to [TR-03129]. The Middleware-Service MUST

- renew the authorization certificate,
- download black lists, and
- download trust point updates

on a regular basis.

Note: Since the attached communication model is used, the `subjectURL` of the `CertificateDescription` contained in the authorization certificates and the URL of the SAML Service MUST conform to the Same-origin policy according to [RFC6454].

3 Authentication

3.1 Process Flow

The framework for an authentication process is defined in [eIDAS Arch]. After the eIDAS Connector was invoked by the relying party, the national part of the Online Authentication is performed as follows:

1. The eIDAS Connector calls the SAML Service with a SAML-Request as specified in [eIDAS Message].
 - The SAML-Request is send using Redirect or POST-Binding, i.e. transported via the browser of the citizen.
 - The SAML Service SHALL verify the signature of the SAML-Request. SAML-Requests not originating at the eIDAS Connector where the Middleware Service is deployed MUST be rejected.
2. The SAML Service SHALL respond to the HTTP GET/POST, which transported the SAML-Request to the SAML Service, with a web page containing an activation link for the eID-Client as specified in [TR-03124], part 1, section 2.3.
 - The `tcTokenURL` contained in this link SHALL point to the SAML Service.
3. The user activates the eID-Client via the activation link. The eID-Client uses the `tcTokenURL` from the activation link to request a TC Token from the SAML Service. The SAML Service SHALL respond with a TC Token as specified in [TR-03124], part 1, section 2.4 and activate the Server-SAL.
4. The eID-Client initiates connection establishment between Client-SAL and Server-SAL and the Online-Authentication is performed ([TR-03124], part 1, section 2.5).
 - As part of the Online Authentication, the Server-SAL SHALL perform Passive Authentication and Revocation Check of the authenticated eID-Card.

After Online-Authentication is concluded, the eID-Client redirects the browser to the `RefreshAddress` contained in the TC Token, which points back to the SAML Service.

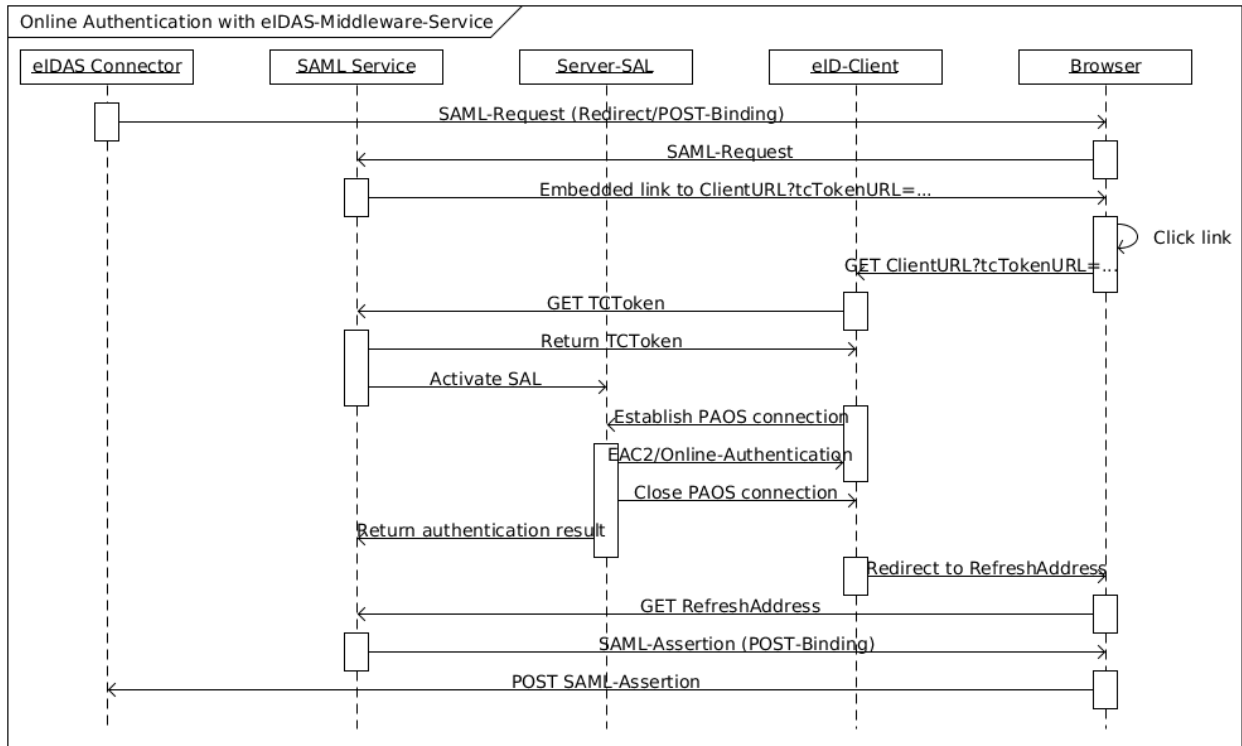


Figure 3: Authentication Flow

- The SAML Service SHALL respond to this HTTP GET with a signed and encrypted SAML-Assertion containing the result of the Online-Authentication in POST-Binding, which is send via the browser to the eIDAS Connector.

Note: The eIDAS-Middleware-Service MUST NOT transmit SAML attributes to the eIDAS Connector which were not requested in the SAML-Request. Unknown SAML attributes in the SAML-Request MUST be ignored.

The final result of the authentication is returned to the requesting relying party by the eIDAS Connector.

See Figure 3 for a sequence diagram of the authentication flow.

Note: This authentication flow provides eID-Client based channel binding only to the SAML Service, not the relying party connected to the eIDAS Connector. See also [TR-03124], part 1, Annex A.

3.2 Attribute Mapping

The attributes retrieved from the eID Card (see [TR-03110], part 4) are mapped to the eIDAS attributes (see [eIDAS Attributes]) as follows:

eIDAS attribute	eID Card attribute	Remark
Attributes mandatory according to [eIDAS IF]		
FirstName	DG4 - GivenNames	String as retrieved from eID Card
FamilyName	DG5 - FamilyNames	String as retrieved from eID Card
DateOfBirth	DG8 - DateOfBirth	The date retrieved from the eID Card is converted

eIDAS attribute	eID Card attribute	Remark
		to the format YYYY-MM-DD. <i>Note: In rare cases, the month or day of birth might be unknown. In these cases, MM or DD are set to 00.</i>
PersonIdentifier	RestrictedID	The PersonIdentifier is a string constructed as DE/xx/yyyy, where xx is the two-letter country code of the destination country or international organization and yyyy is the return value of the RestrictedID function encoded as hexBinary. <i>Note: For private sector relying parties, the RestrictedID is specific to the private sector body, i.e. the PersonIdentifier is incomparable between relying parties.</i>
Attributes optional according to [eIDAS IF]		
PlaceOfBirth	DG9 - PlaceOfBirth	If the PlaceOfBirth stored on the eID Card is encoded as structuredPlace, only the component city is used. If the PlaceOfBirth is encoded as freetextPlace, the string is used as retrieved from the eID Card.
BirthName	DG4 - GivenNames DG13 - BirthName or DG5 - FamilyNames	If DG13 is empty (implying that the current last name is the same as the name at birth), the concatenation of the contents of DG4 (first names) and DG5 (last name) is returned. If DG13 is non-empty, the concatenation of the contents of DG4 (first names) and DG13 (last name at birth) is returned. <i>Note: German ID Cards issued before Q2/2012 and German Residence Permits issued before Q4/2014 do not contain a DG13/BirthName. In these cases, an empty BirthName is returned.</i>
CurrentAddress	DG17 - PlaceOfResidence	If the data group contains a structuredPlace, the CurrentAddress is constructed as follows: <ul style="list-style-type: none"> • AdminunitFirstline is set to the content of the element country; • AdminunitSecondline is set to the content of the element state, if present; • PostName is set to the content of the element city; • PostCode is set to the content of the element zipCode; • ThouroughFare is set to the content of element street up to the first numerical digit, removing trailing whitespace • LocatorDesignator is set to the re-

eIDAS attribute	eID Card attribute	Remark
		mainder of the element <code>street</code> . If the data group contains the <code>noPlaceInfo</code> alternative, an empty address is returned.
Gender	N/A	The eIDAS attribute <code>Gender</code> is not supported.

The eIDAS-Middleware-Service SHALL include the card attributes `GivenNames`, `FamilyNames`, `BirthName`, `DateOfBirth`, `PlaceOfBirth` and `RestrictedID` in the `RequiredCHAT` send to the eID-Client, and the attribute `PlaceOfResidence` in the `OptionalCHAT`.

4 General Requirements

4.1 Compliance to the eIDAS Regulation

All operational and security related requirements from [eIDAS Arch] and specifications referenced therein MUST be fulfilled. This includes requirements on configuration, logging, delivery model and supporting documentation.

4.2 Supported eID-Cards

The eIDAS Middleware Service MUST support all eID-Cards containing an eID-Application compliant to [TR-03127]. Cards compliant to that specification are identified by the presence of the Application Identifier `0xE80704007F00070302` in the file `EF.DIR` (see [TR-03110]).

4.3 Interfaces

An attacker SHOULD be considered to be able to send arbitrary commands/data to publicly accessible interfaces. In this context, interfaces protected by access control are to be considered public until access control has been performed properly.

4.4 HTTP Communication

All HTTP communication SHALL follow [RFC2616] and [RFC2818], where applicable.

4.5 SAML

SAML is used for communication with the eIDAS Connector.

The format of messages and attributes from [eIDAS Message] and [eIDAS Attributes] MUST be used.

The cryptographic requirements from [eIDAS Crypto] MUST be fulfilled.

The well known security aspects of SAML-based systems MUST be taken into account (see [SAML-Sec]).

4.6 TLS

TLS is used for communication with the browser, the eID-Client and the Authorization CA.

For communication with the browser, the requirements from [eIDAS Crypto] MUST be fulfilled. For all other TLS sessions, the requirements from [TR-03116], Part 4, MUST be fulfilled. This includes the TLS version to be supported and the selection of supported Cipher Suites. To enhance interoperability, it is RECOMMENDED to support further Cipher Suites compliant to [TR-03116], Part 4.

Session resumption SHOULD be supported for all TLS sessions. If TLS is required for different communication channels with the same end point, the same TLS session MAY be used.

4.7 Key Generation and Storage

Cryptographic keys MUST be generated using random numbers of sufficient entropy.

Private cryptographic keys MUST be protected against breach of confidentiality. Public cryptographic keys MUST be protected against breach of integrity.

4.8 Deployment

The eIDAS-Middleware-Service SHOULD be delivered with configuration options for trust points for Passive Authentication and the Authorization PKI for test and production environments. A Middleware-Service configured for the production environment MUST NOT accept eID Cards from the test environment.

The eIDAS-Middleware-Service SHOULD be accompanied with an initialization script or tool which performs all necessary configurations, including:

- configuring the Middleware-Service for test or production environment, i.e. activating the corresponding trust points;
- personalization of URLs;
- generating key pairs for TLS and SAML, generating the corresponding certificate requests and importing the signed certificates, including the certificate chains necessary to verify the certificates;
- generating and exporting an initial certificate request for the Authorization CA;
- exporting SAML Metadata describing the Middleware instance and importing the SAML Metadata of the Connector according to [eIDAS Message].

To ease backup of configuration data, it is RECOMMENDED to store all configuration data in a single directory or directory hierarchy.

4.9 Active Web Content

The eIDAS Middleware-Service MUST NOT use active web content. In this context active web content is defined as code downloaded as part of a web page which is executed on the host computer without prior installation, e.g. java-applets.

JavaScript MAY be used if an additional fall-back without JavaScript is available.

4.10 Developer Mode

It is RECOMMENDED to implement a Developer Mode as follows:

- If any of the security checks specified in this document fails, the eIDAS Middleware-Service SHOULD, instead of aborting the procedure, continue if possible and inform the user about the exact reason of the failure.

- The Developer Mode SHOULD provide enhanced user accessible log data. Log data MAY also be provided outside of the Developer Mode.

The Developer Mode MAY be implemented as a separate executable or as a configuration option.

4.11 Updates

The vendor of the eIDAS-Middleware-Service SHALL supply necessary security updates.

Reference Documentation

TR-03110	BSI: Technische Richtlinie TR-03110, Advanced Security Mechanisms for Machine Readable Travel Documents and eIDAS token
TR-03112	BSI: Technische Richtlinie TR-03112, eCard-API-Framework
TR-03116	BSI: Technische Richtlinie TR-03116, Kryptographische Vorgaben für Projekte der Bundesregierung
TR-03124	BSI: Technische Richtlinie TR-03124, eID-Client
TR-03127	BSI: Technische Richtlinie TR-03127, eID-Karten mit eID- und eSign-Anwendung basierend auf Extended Access Control
TR-03129	BSI: Technische Richtlinie TR-03129, PKIs for Machine Readable Travel Documents -- Protocols for the Management of Certificates and CRLs
eIDAS Crypto	eIDAS: Cryptographic Requirements for TLS and SAML
eIDAS Arch	eIDAS: Interoperability Architecture
eIDAS Attributes	eIDAS: SAML Attribute Profile
eIDAS Message	eIDAS: SAML Message Formats
eIDAS IF	EU: COMMISSION IMPLEMENTING REGULATION (EU) 2015/1501 of 8 September 2015 on the interoperability framework pursuant to Article 12(8) of Regulation (EU) No 910/2014 of the European Parliament and of the Council on electronic identification and trust services for electronic transactions in the internal market
eIDAS	EU: REGULATION (EU) No 910/2014 OF THE EUROPEAN PARLIAMENT AND OF THE COUNCIL of 23 July 2014 on electronic identification and trust services for electronic transactions in the internal market and repealing Directive 1999/93/EC
RFC2119	IETF: RFC 2119: S. Bradner: Key words for use in RFCs to Indicate Requirement Levels
RFC2616	IETF: RFC 2616: R. Fielding, J. Gettys, J. Mogul, H. Frystyk, L. Masinter, P. Leach, T. Berners-Lee: Hypertext Transfer Protocol -- HTTP/1.1
RFC2818	IETF: RFC 2818: E. Rescorla: HTTP Over TLS
RFC6454	IETF: RFC 6454: A. Barth: The Web Origin Concept
SAML-Core	OASIS: Assertions and Protocols for the OASIS Security Assertion Markup Language (SAML) V2.0
SAML-Binding	OASIS: Bindings for the OASIS Security Assertion Markup Language (SAML) V2.0
SAML-Sec	OASIS: F. Hirsch, R. Philpott, E. Maler: Security and Privacy Considerations for the OASIS Security Assertion Markup Language (SAML) V2.0