



Bundesamt  
für Sicherheit in der  
Informationstechnik



# Technical Guideline TR-03112-1

## eCard-API-Framework – Overview

Version 1.1.5 draft

7. April 2015

Bundesamt für Sicherheit in der Informationstechnik  
Postfach 20 03 63  
53133 Bonn

E-Mail: [ecard.api@bsi.bund.de](mailto:ecard.api@bsi.bund.de)

Internet: <https://www.bsi.bund.de>

© Bundesamt für Sicherheit in der Informationstechnik 2015

---

# Contents

<b>1</b>	<b>Overview of the eCard-API-Framework</b>	<b>5</b>
1.1	Key Words	5
1.2	XML-Schema	6
1.3	Overview (Part 1)	6
1.4	eCard-Interface (Part 2)	6
1.4.1	Functions for identity management	6
1.4.2	Signature functions	6
1.4.3	Encryption functions	7
1.5	Management-Interface (Part 3)	7
1.5.1	Management of the eCard-API-Framework	7
1.5.2	Card management	8
1.5.3	Card terminal management	8
1.5.4	Trusted viewer management	9
1.5.5	Identity management	9
1.5.6	Service management	10
1.6	ISO24727-3-Interface (Part 4)	10
1.6.1	Card Application Service Access	10
1.6.2	Connection service	11
1.6.3	Card Application Service	11
1.6.4	Named data service	12
1.6.5	Cryptographic service	12
1.6.6	Differential identity service	13
1.6.7	Authorization service	13
1.7	Support-Interface (Part 5)	14
1.8	IFD-Interface (Part 6)	14
1.8.1	Card terminal functions	15
1.8.2	Card functions	15
1.8.3	User interaction functions	16
1.8.4	IFD callback interface for card terminal events	16
1.9	Protocols (Part 7)	16
<b>2</b>	<b>Web Service interface</b>	<b>18</b>
2.1	Structure of the WSDL files	18
2.2	Web service binding	18
2.3	Structure of and links between the XSD and WSDL files	19
<b>3</b>	<b>Other programming interfaces</b>	<b>21</b>
3.1	C-Language Binding for ExecuteAPI	21
3.2	Java-Language Binding for ExecuteAPI function	22
<b>4</b>	<b>Basic definitions</b>	<b>23</b>
4.1	Request- and ResponseType	23
4.1.1	RequestType	23
4.1.2	ResponseType	23
4.2	Codes for errors and warnings	25
4.2.1	Error codes from the Application-Layer	25
4.2.2	Error codes from the Dispatcher	27
4.2.3	Error codes from the Identity-Layer	28

---

4.2.4	Error codes from the Service-Access-Layer.....	32
4.2.5	Error codes from the Terminal-Layer.....	34
4.3	Additional URI definitions.....	36
4.3.1	Protocols.....	36
4.3.2	Properties.....	36
4.3.3	CardInfo.....	36
4.4	Mandatory use of Profile-attribute in responses.....	36
5	List of Abbreviations.....	37
6	Index of XML data types.....	38

## Table of Figures

Figure 1: The dss:Result element.....	24
---------------------------------------	----

---

# 1 Overview of the eCard-API-Framework

The objective of the eCard-API-Framework is the provision of a simple and homogeneous interface to enable standardised use of the various smart cards (eCards) for different applications.

The eCard-API-Framework is sub-divided into the following layers:

- Application-Layer
- Identity-Layer
- Service-Access-Layer
- Terminal-Layer

The **Application-Layer** contains the various applications which use the eCard-API-Framework to access the eCards and their associated functions. Application-specific "convenience interfaces", in which the recurring invocation sequences may be encapsulated in application-specific calls, may also exist in this layer. However, these interfaces are currently *not* within the scope of the e-Card-API-framework.

The **Identity-Layer** comprises the eCard-Interface and the Management interface, and therefore functions for the use and management of electronic identities as well as for management of the eCard-API-Framework.

The *eCard-Interface* (refer to [TR-03112-2]) allows to request certificates as well as the encryption, signature and time-stamping of documents.

In the *Management-Interface* (refer to [TR-03112-3]), functions for updating the framework and the management of trusted identities, smart cards, card terminals, and default behaviour are available.

The **Service-Access-Layer** provides, in particular, functions for cryptographic primitives and biometric mechanisms in connection with cryptographic tokens, and comprises the ISO24727-3-Interface and the Support-Interface.

The *ISO24727-3-Interface* defined in the present document is a webservice-based implementation of the standard of the same name [ISO24727-3]. This interface contains functions to establish (cryptographically protected) connections to smart cards, to manage card applications, to read or write data, to perform cryptographic operations and to manage the respective key material (in the form of so-called "differential identities"). In the process, all functions which use or manage "differential identities" are parameterised by means of protocol-specific object identifiers so that the different protocols which are defined in the present document MAY be used with a standardised interface (refer to [TR-03112-7]).

The *Support-Interface* (refer to [TR-03112-5]) contains a range of supporting functions.

The **Terminal-Layer** primarily contains the *IFD-Interface* (refer to [TR-03112-6]). This layer takes over the generalisation of specific card terminal types and various interfaces as well as communication with the smart card. For the user it is unimportant whether the card is addressed by PC/SC, a SICCT terminal or a proprietary interface, or whether it has contacts or is contact-less.

## 1.1 Key Words

The key words "MUST", "MUST NOT", "REQUIRED", "SHALL", "SHALL NOT", "SHOULD", "SHOULD NOT", "RECOMMENDED", "MAY", and "OPTIONAL" in this document are to be interpreted as described in [RFC2119]. The key word "CONDITIONAL" is to be interpreted as follows:

**CONDITIONAL:** The usage of an item is dependent on the usage of other items. It is therefore further qualified under which conditions the item is REQUIRED or RECOMMENDED.

---

## 1.2 XML-Schema

A XML-Schema is provided together with this Technical Guideline. In case of incongruencies, the specifications in this text take precedence. The graphical representations of the XML-Schema illustrate the schema. Note that the text of this Guideline might further restrict the presence or multiplicity of elements as compared to the schema definition.

## 1.3 Overview (Part 1)

This document is Part 1 of the document series, which provides an overview and general definitions.

## 1.4 eCard-Interface (Part 2)

The eCard-Interface encapsulates the main functions of the eCard-API-Framework in an application-orientated manner.

The eCard-Interface is specified in Part 2 of the document series and encapsulates the main functions of the eCard-API-Framework. For this purpose the eCard-Interface provides the following function groups:

- Functions for identity management
- Signature functions
- Encryption functions

With the `GetCertificate` function, certificate applications can be transferred to a certification authority, from where they obtain their certificates.

In addition, the invocations specified by [DSS] can be used for the creation and verification of (qualified) electronic signatures in the formats according to [RFC3275] and [RFC3369], as well as the corresponding extensions from ETSI. This functional group also contains an interface to a trustworthy display component which can be used in particular for the displaying the data and test results requiring a signature.

Finally, with the encryption functions documents can be easily encrypted and decrypted in accordance with [RFC3369] and [XMLEnc] by simple function invocations.

### 1.4.1 Functions for identity management

#### **GetCertificate**

With the `GetCertificate` function, certificate applications can be transferred to a certification authority, from where they obtain their certificates.

### 1.4.2 Signature functions

#### **SignRequest**

The `SignRequest` function conforms with [DSS], and permits the creation of (qualified) electronic signatures in popular high-level formats such as XML-DSig in accordance with [RFC3275], or cryptographic message syntax in accordance with [RFC3369]. These signatures can also contain time stamps which can also be requested separately with this function.

#### **VerifyRequest**

---

The `VerifyRequest` function conforms with [DSS] and enables verification of signed objects (e.g. signatures, time stamps, certificates, CRLs, OCSP-responses and evidence records).

#### **ShowViewer**

This function enables trustworthy display of documents which can be used for the creation and verification of signatures.

### **1.4.3 Encryption functions**

#### **EncryptRequest**

The `EncryptRequest` function enables encryption of data in accordance with [XMLEnc] and [RFC3369].

#### **DecryptRequest**

The `DecryptRequest` function enables decryption of data encrypted in accordance with [XMLEnc] and [RFC3369].

## **1.5 Management-Interface (Part 3)**

The Management-Interface provides important administration functions for the eCard-API-Framework.

The Management-Interface provides the following function groups:

- Management of the eCard-API-Framework
- Card management
- Card terminal management
- Trusted viewer management
- Identity management
- Service management

### **1.5.1 Management of the eCard-API-Framework**

This function group includes functions for the management of the eCard-API framework itself:

#### **InitializeFramework**

The `InitializeFramework` function ensures initialisation of the eCard-API-Framework.

#### **TerminateFramework**

The `TerminateFramework` function terminates all sessions and services of the eCard-API-Framework.

#### **APIACLList**

The `APIACLList` function is OPTIONAL and MAY provide the currently defined access control regulations for access to the individual functions of the eCard-API-Framework. This function MAY ONLY be made available to the *administrator* who is authenticated in accordance with the security policies applicable for operation of the eCard framework.

#### **APIACLModify**

---

The `ACLModify` function is OPTIONAL and MAY be used to modify the access control rules which govern the access to the functions of the eCard-API-Framework. Via this access control mechanism it is possible, for example, to grant or refuse access of an application to the `Transmit` function in the IFD interface (also refer to [TR-03112-6]) for the implementation of a "transparent channel" to a card. As a consequence, it is also possible to define whether and under which circumstances remote eCard-API-Frameworks are permitted access to a local eCard-API-Framework.

If this function is supported it MAY ONLY be made available to the *administrator* who is authenticated in accordance with the security policies applicable for operation of the eCard framework.

### **FrameworkUpdate**

The `FrameworkUpdate` function checks whether an update is available for the eCard-API-Framework and performs such an update if necessary. The detailed processes during execution of this function are protocol-specific (refer to [TR-03112-7]).

### **GetDefaultParameters**

Default behaviour can be specified for the eCard-API-Framework to also permit the easiest possible invocations by the client application for potentially complex operations (e.g. for creating and verifying electronic signatures, refer to [TR-03112-2], section 3.2.1-3.2.2). The currently specified default parameters MAY be read out with the `GetDefaultParameters` function.

### **SetDefaultParameters**

The `SetDefaultParameters` function is used to write the default parameters, which then determine the standard behaviour of the eCard-API-Framework.

## **1.5.2 Card management**

### **GetCardInfoList**

The `GetCardInfoList` function supplies the list of card types which are known from the `CardInfo` files.

### **SetCardInfoList**

The `SetCardInfoList` function saves an ordered list of card types in form of URIs, which determine the steps during the card recognition procedure.

### **AddCardInfoFiles**

With the `AddCardInfoFiles` function it is possible to add a series of `CardInfo` files.

### **DeleteCardInfoFiles**

The `DeleteCardInfoFiles` function deletes a series of `CardInfo` files.

## **1.5.3 Card terminal management**

### **RegisterIFD**

With the `RegisterIFD` function it is possible to add a card terminal with all configuration information.

### **UnregisterIFD**

The `UnregisterIFD` function deletes a card terminal.



---

## 1.5.4 Trusted viewer management

### **GetTrustedViewerList**

The `GetTrustedViewerList` function provides a list of available trustworthy display components (trusted viewer).

### **GetTrustedViewerConfiguration**

The `GetTrustedViewerConfiguration` function reads the configuration information for a specific trusted viewer which is saved in the eCard-API-Framework.

### **SetTrustedViewerConfiguration**

The `SetTrustedViewerConfiguration` function writes the configuration information for a specific trusted viewer.

### **AddTrustedViewer**

With the `AddTrustedViewer` function, a trusted viewer can be added with all configuration information.

### **DeleteTrustedViewer**

The `DeleteTrustedViewer` function deletes a trusted viewer.

## 1.5.5 Identity management

### **GetTrustedIdentities**

The `GetTrustedIdentities` function supplies a list of the trustworthy identities in form of trust-service status list (TSL) and trustworthy certificates.

### **AddTrustedCertificate**

With the `AddTrustedCertificate` function, a certificate can be added to the list of trusted certificates.

### **AddCertificate**

With the `AddCertificate` function, a non-trustworthy certificate which can be used for signature verification or encryption can be added to the certificate database.

### **ExportCertificate**

With the `ExportCertificate` function, a (trustworthy or non-trustworthy) certificate can be exported.

### **DeleteCertificate**

The `DeleteCertificate` function deletes an existing (trustworthy or non-trustworthy) certificate from the certificate database.

### **AddTSL**

With the `AddTSL` function, a trust-service status list can be added to the eCard-API-Framework.

### **ExportTSL**

With the `ExportTSL` function, a trust-service status list can be exported.

### **DeleteTSL**

With the `DeleteTSL` function, a trust-service status list can be deleted from the list of trustworthy identities.

---

## 1.5.6 Service management

### **GetOCSPServices**

The `GetOCSPServices` function reads the list of available OCSP responders together with the corresponding configuration information.

### **SetOCSPServices**

The `SetOCSPServices` function writes the list of available OCSP responders together with the corresponding configuration information.

### **GetDirectoryServices**

The `GetDirectoryServices` function reads the list of the directory services accessible via LDAP or HTTP with all corresponding configuration information.

### **SetDirectoryServices**

The `SetDirectoryServices` function writes a list of the directory services accessible via LDAP or HTTP with all corresponding configuration information.

### **GetTSServices**

The `GetTSServices` function reads the list of time stamp services with all corresponding configuration information.

### **SetTSServices**

The `SetTSServices` function writes a list of the time stamp services together with all corresponding configuration information.

## 1.6 ISO24727-3-Interface (Part 4)

The ISO24727-3-Interface provides a generic interface for all card-based functions of the various eCards.

The ISO24727-3-Interface provides the following function groups:

- Card Application Service Access
- Connection Service
- Card Application Service
- Named data service
- Cryptographic service
- Authorization service

### 1.6.1 Card Application Service Access

#### **Initialize**

The `Initialize` function is executed when the ISO24727-3-Interface is invoked for the first time. The interface is initialised with this function.

#### **Terminate**

The `Terminate` function is executed when the ISO24727-3-Interface is terminated. This function closes all processes.

---

## **CardApplicationPath**

The `CardApplicationPath` function determines the path between a client application and a card application.

## **1.6.2 Connection service**

### **CardApplicationConnect**

The `CardApplicationConnect` function establishes an unauthenticated connection between the client application and the card application.

### **CardApplicationDisconnect**

The `CardApplicationDisconnect` function terminates the connection between the client application and the card application.

### **CardApplicationStartSession**

The `CardApplicationStartSession` function starts an authenticated session between the client application and the card application.

### **CardApplicationEndSession**

The `CardApplicationEndSession` function closes an authenticated session between the client application and the card application.

## **1.6.3 Card Application Service**

### **CardApplicationList**

The `CardApplicationList` function returns the list of available card applications of an eCard as a list.

### **CardApplicationCreate**

The `CardApplicationCreate` function creates a new card application.

### **CardApplicationDelete**

The `CardApplicationDelete` function deletes a card application on an eCard.

### **CardApplicationServiceList**

The `CardApplicationServiceList` function returns a list of the available services of a card application on an eCard.

### **CardApplicationServiceCreate**

The `CardApplicationServiceCreate` function creates a new service for the card application on an eCard.

### **CardApplicationServiceLoad**

The `CardApplicationServiceLoad` function loads executable code, which can be executed within a service of a card application on the eCard.

### **CardApplicationServiceDelete**

The `CardApplicationServiceDelete` function deletes a service in a card application on an eCard.

### **CardApplicationServiceDescribe**

---

The invocation parameters of a service of a card application can be determined with the `CardApplicationServiceDescribe` function.

### **ExecuteAction**

The `ExecuteAction` function permits the execution of an action of a service which has been loaded into a card application on an eCard with the `CardApplicationServiceLoad` function.

## **1.6.4 Named data service**

### **DataSetList**

The `DataSetList` function supplies a list of data sets in a card application on an eCard.

### **DataSetCreate**

The `DataSetCreate` function creates a new data set in a selected card application on an eCard.

### **DataSetSelect**

The `DataSetSelect` function selects a data set of a card application on an eCard.

### **DataSetDelete**

The `DataSetDelete` function deletes a data set of a card application on an eCard.

### **DSIList**

The `DSIList` function returns a list of data structures for interoperability (DSIs) in the currently selected data set of a card application.

### **DSICreate**

The `DSICreate` function creates a DSI in the currently selected data set of a card application.

### **DSIDelete**

The `DSIDelete` function deletes a DSI in the currently selected data set of a card application.

### **DSIWrite**

The `DSIWrite` function writes specific content into a DSI in a currently selected data set of an application.

### **DSIRead**

The `DSIRead` function reads the content of a DSI in the currently selected data set of a card application.

## **1.6.5 Cryptographic service**

The detailed functionality of the cryptographic service is determined by the protocol of the differential identity employed. Various protocols and especially the Generic Cryptography protocol are defined in [TR-03112-7].

### **GetRandom**

The `GetRandom` function returns a random number which can be used, for example, for authentication.

### **VerifySignature**

The `VerifySignature` function checks a digital signature.

### **VerifyCertificate**

---

The `VerifyCertificate` function validates a certificate.

### **Sign**

The `Sign` function generates a signature for a communicated binary message.

### **Encipher**

The `Encipher` function encrypts a transmitted plain text.

### **Decipher**

The `Decipher` function decrypts a transmitted cipher text.

### **Hash**

The `Hash` function calculates the hash value of a transmitted message.

## **1.6.6 Differential identity service**

The detailed functionality of the `DIDCreate`, `DIDGet`, `DIDUpdate` and `DIDAuthenticate` functions is determined by the protocol (also refer to [TR-03112-7]) of the employed differential identity.

### **DIDList**

The `DIDList` function returns a list of the existing differential identities (DIDs) in the card application of an eCard.

### **DIDCreate**

The `DIDCreate` function creates a new differential identity in a card application of an eCard.

### **DIDGet**

The `DIDGet` function determines the publicly accessible information (e.g. key reference) of a differential identity in a card application of an eCard.

### **DIDUpdate**

The `DIDUpdate` function generates a new key (marker) for a differential identity in a card application of an eCard.

### **DIDDelete**

The `DIDDelete` function deletes a given differential identity in a card application of an eCard.

### **DIDAuthenticate**

Using one or more differential identities, the `DIDAuthenticate` function executes an authentication protocol which is implicitly specified by these identities.

## **1.6.7 Authorization service**

### **ACLList**

The `ACLList` function returns the currently defined access control rules for accessing a card application.

### **ACLModify**

The `ACLModify` function permits modification of a certain access control rule for access to a card application.

---

## 1.7 Support-Interface (Part 5)

The Support-Interface contains a series of supporting functions which are typically not executed on an eCard. This comprises the following functions.

### **Encode**

The `Encode` function encodes data. This function is also used, for example, for data compression.

### **Decode**

The `Decode` function decodes data. This function is also used, for example, for data decompression.

### **ValidateXMLDocument**

The `ValidateXMLDocument` function validates an XML document on the basis of a schema.

### **GetCardInfoOrACD**

The `GetCardInfoOrACD` function may be used to retrieve `CardInfo`-files as specified in [TR-03112-4] and [CEN15480-3] or equivalent Application Capability Descriptions (ACD) according to [ISO24727-2], which allow to perform the mapping of generic calls at the ISO24727-3-Interface to card-specific APDUs.

## 1.8 IFD-Interface (Part 6)

The IFD-Interface provides the following function groups:

- Card terminal functions
- Card functions
- User interaction functions

In addition, there is an IFD-Callback-Interface for card terminal events and additional functions for the management of card terminals which are specified in the Management-Interface [TR-03112-3]:

### **RegisterIFD**

With the `RegisterIFD` function it is possible to add a card terminal with all configuration information.

### **UnregisterIFD**

The `UnregisterIFD` function deletes a card terminal.

---

## 1.8.1 Card terminal functions

### **EstablishContext**

The `EstablishContext` function opens a session with the Terminal-Layer and returns a `ContextHandle` which is used in other invoked functions to address this session.

### **ReleaseContext**

The `ReleaseContext` function terminates a session with the Terminal-Layer addressed by means of a `ContextHandle`.

### **ListIFDs**

With the `ListIFDs` function a list of available card terminals is returned to the calling layer.

### **GetIFDCapabilities**

The `GetIFDCapabilities` function provides information about a specific card terminal and its functional units to the calling layer.

### **GetStatus**

The `GetStatus` function determines the current status of the card terminal.

### **Wait**

With the `Wait` function the invoking layer can be informed about card terminal events by the return of the `Wait` function or by means of the `SignalEvent` callback function.

### **Cancel**

The `Cancel` function terminates the waiting procedure for card terminal events, or attempts to cancel processing of the last command sent by means of the current handle on a specific card terminal. In this case, success depends on the type of command and the point of time at which `Cancel` was invoked.

### **ControlIFD**

The `ControlIFD` function sends a (proprietary) command to the card reader. This serves to permit access to proprietary and application-specific functions for which there is no separate command in the IFD-Interface without changing the interface.

## 1.8.2 Card functions

### **Connect**

The `Connect` function activates an eCard registered by the IFD and returns a `CardHandle` with which it can be addressed in future.

### **Disconnect**

The `Disconnect` function invalidates a `CardHandle` and optionally executes an additional operation (e.g. ejection of the eCard, if the IFD has the corresponding mechanical functionality).

### **BeginTransaction**

The `BeginTransaction` function starts a transaction within the framework of which several commands can be sent to the eCard. If an error occurs, the transaction is cancelled and any modifications performed are reset.

---

## EndTransaction

The `EndTransaction` function terminates an existing transaction.

## Transmit

The `Transmit` function sends APDUs to an eCard addressed by means of a `CardHandle`.

## 1.8.3 User interaction functions

### VerifyUser

The `VerifyUser` function verifies a user by means of a PIN or a biometric characteristic.

### ModifyVerificationData

The `ModifyVerificationData` function modifies the identification data (PIN or biometric characteristic).

### Output

The `Output` function serves to control the output units of a card terminal.

## 1.8.4 IFD callback interface for card terminal events

### SignalEvent

With the `SignalEvent` function, layers above the Terminal-Layer can be informed about card terminal events. To this purpose the `SignalEvent` function MUST be provided as a web service by these layers.

## 1.9 Protocols (Part 7)

[TR-03112-7] contains specifications for ISO/IEC 24727 protocols as well as protocols for `GetCertificate` and `FrameworkUpdate`.

The ISO/IEC 24727 protocols define Crypto and Differential Identity Services for some authentication protocols as required for the use of typical signature cards, electronic health insurance cards, healthcare professional ID cards and the planned electronic identity cards:

**PIN Compare:** This protocol defines the authentication of a user performed by means of a PIN, which is also specified in abridged form in Annex A.9 of [ISO24727-3].

**Mutual Authentication:** This protocol is specified in similar form in Annex A.12 of [ISO24727-3], Section 16.1.1 of [eGK-1] and Section 8.8 of [EN14890-1] and provides the framework for mutual authentication with the exchange of keys using symmetric algorithms.

**Extended Access Control:** This protocol specified in [TR-03110] forms the framework for mutual authentication with key exchange using the Extended Access Control protocol.

**RSA Authentication:** This protocol is specified in a similar form in Annex A.15 of [ISO24727-3], Section 16 of [eGK-1] and Section 8.4 of [EN14890-1] and provides the framework for mutual authentication with an optional exchange of keys using the RSA algorithm.

**Generic Cryptography:** This generic protocol specifies how cryptographic operations can be used independently of specific authentication procedures.



---

In addition to that, [TR-03112-7] defines the connection establishment for SOAP and PAOS bindings whereas the use of the PAOS binding requires a more complex process to establish the connection. In this context [TR-03112-7] defines the functions

#### **TC\_API\_OPEN**

The function `TC_API_Open` can be used to initiate the establishment of a connection with a specific binding (e.g. [PAOSv2.0]) between two systems.

#### **TC\_API\_CLOSE**

The function `TC_API_Close` MAY be used to actively close down a previously established connection between two systems.

#### **StartPAOS**

The function `StartPAOS` is used for the establishment of a PAOS connection according to [PAOSv2.0].

---

## 2 Web Service interface

[WSDL] is used for interface description so that web services can be defined independently of the transport layer.

### 2.1 Structure of the WSDL files

On the basis of the definition – independently of the transport layer – the WSDL files comprise, on the one hand, XML elements which describe the service abstractly, and, on the other one, elements which specify compliance with a concrete transport protocol.

The WSDL files comply with the [WSDL] specification and have the following structure:

```
<?xml version="1.0" encoding="UTF-8"?>
<wsdl:definitions targetNamespace="http://www.bsi.bund.de/eCard"
  ... >
  <wsdl:types>
  ...
  </wsdl:types>
  <wsdl:message name="Function " >
  ...
  </wsdl:message>
  ...
  <wsdl:portType name="Interface">
    <wsdl:operation name="Function">
    </wsdl:operation>
    ...
  </wsdl:portType>
  <wsdl:binding name="IFD" type="ec:IFD">
  </wsdl:binding>
  <wsdl:service name="Interface">
    <wsdl:port name="InterfacePort" binding="ec:Interface">
      <soap:address location="http://127.0.0.1:24727" />
    </wsdl:port>
  </wsdl:service>
</wsdl:definitions>
```

The name-space prefixes are defined in the `definitions` root element of the WSDL files. The following element `types` defines the data types. The defined XSD schemata are also integrated at this point. These constitute the basis for the `message` element. This contains a description of the message which is processed as an inquiry or output as a response. The `portType` element specifies a logical grouping of operations which are described by the `operation` element.

The `binding` element is used for defining protocols and data formats. This contains a description of all information required for depicting communication on an existing transport protocol. In addition, the `binding` also describes encoding of the messages which transmits the input and output values for the existing operations. The actual service is described in the `service` element. A service comprises at least one `port` element. A `port` specifies an address for a binding.

### 2.2 Web service binding

The following web service bindings MUST at least be supported for the interfaces defined by [TR-03112-WSDL]:

- 
- <http://schemas.xmlsoap.org/soap/http> - SOAP via HTTP according to [SOAPv1.1], Section 6
  - <urn:liberty:paos:2006-08> – Reverse http Binding for SOAP (PAOS) according to [PAOSv2.0]

In addition, other bindings as well as language-specific interfaces derived from the [TR-03112-WSDL] WSDL descriptions MAY also be supported (also refer to Section 3).

While http-requests and SOAP-requests or responses result directly in a "standard binding" in accordance with [SOAPv1.1] (Section 6), with a "PAOS binding" the remote framework (in this case typically a server system) sends its SOAP requests with the respective http-responses to the local framework (in this case typically a client system).

As a result of this binding it is possible to send web service invocations to client systems which do not permit *any incoming* http-connections. The PAOS binding can, for example, be used for the electronic personal ID for authentication and identification on the internet.

## 2.3 Structure of and links between the XSD and WSDL files

There is a corresponding WSDL file (.wsdl) for each interface (the eCard-, Management-, ISO24727-3-, ISO24727-Protocols, Support-, IFD-, and IFDCallback-Interface) in which the corresponding (primary) schema files (.xsd) are integrated:

- `eCard.{xsd,wsdl}` – contains the definition of the structures for the eCard-Interface (also refer to Section 1.4 and [TR-03112-2]).
- `Management.{xsd,wsdl}` – contains the definition of the structures for the Management-Interface (also refer to Section 1.5 and [TR-03112-3]).
- `ISO24727-3.{xsd,wsdl}` – contains the definition of the structures for the ISO24727-3-Interface (also refer to Section 1.6, [TR-03112-4] and [ISO24727-3]).
- `ISO24727-Protocols.{xsd,wsdl}` – defines the specific card protocols and the functions for connection establishment according to [TR-03112-7] (`TC_API_Open`, `TC_API_Close` and `StartPAOS`).
- `Support.{xsd,wsdl}` – contains the definition of the structures for the Support-Interface (also refer to Section 1.7 and [TR-03112-5]).
- `ISOIFD.{xsd,wsdl}` – contains the definition of the structures for the IFD-Interface (also refer to Section 1.8, [TR-03112-6] and [ISO24727-4]).
- `ISOIFDCallback.{xsd,wsdl}` – contains the definition of the structures for the IFD-Callback-Interface (also refer to Section 1.8.4 and [TR-03112-6]).

In addition, there are the following additional XSD- and WSDL-files, which correspond to supporting services:

- `UpdateService.wsdl` - defines the interface to an update service for the basic update protocol specified in [TR-03112-7].
- `CardInfoRepository.{xsd,wsdl}` – defines the interface to the CardInfo-Repository (also refer to [TR-03112-5], Section 3).

Moreover, the following (secondary) schemata exist within the eCard-API-Framework which are integrated into the above-mentioned schema files:

- `ISOCommon.xsd` – defines basic structures (refer to Section 4),
- `CardInfo.xsd` – defines the `CardInfo`-structure (also refer to [TR-03112-4], Annex A and [CEN15480-3]) and

- 
- `eCard-Protocols.xsd` – defines other protocols (e.g. for `GetCertificate`) (also refer to [TR-03112-7]).

These schemata developed in the scope of this Guideline are, in turn, for example based on the following standard schemata:

- `ecdsa.xsd` – contains definitions necessary for the handling of data structures related to elliptic curves.
- `oasis-dssx-1.0-profiles-encryption-0.5.xsd` – a profile for encryption and decryption.
- `xmlers-schema-draft-v0.3.xsd` – contains definitions for XML-based evidence records as used in the comprehensive verification report profile.

An index of XML data types is provided as Annex of this document.

---

## 3 Other programming interfaces

In addition to the web service bindings mentioned in Section 2.2, language-specific programming interfaces derived from the WSDL specifications MAY be offered for the functions of the eCard-API-Framework.

### 3.1 C-Language Binding for ExecuteAPI

This function serves as a C-language binding for the functions defined in this specification. It is the only entry point for the C-programming language. It processes XML encoded function calls and returns XML encoded function call responses.

#### Prototype

```
wchar_t*      ExecuteAPI (
    IN const wchar_t*  FunctionCall,
    IN/OUT StatusType* Status
);
```

#### Parameters

##### FunctionCall

XML encoded function call as a Null-terminated buffer containing the XML payload.

##### Status

Receives the status of the function call to be executed. This parameter can have one of the following values:

Data Type	Description
API_OK	Function executed successfully.
API_SMALL_BUFFER	Application allocated buffer for response data is too small.
API_XML_ERROR	Error in parsing XML encoded function call.
API_GENERIC_ERROR	Unknown error.

#### Return values

Upon successful completion, the function returns the XML encoded function call response as a Null-terminated buffer.

#### Prototype

```
void freeAPIExecuteResponse (
    IN wchar_t*  Response);
```

#### Parameters

##### Response

A pointer to a Null-terminated buffer containing the XML encoded function call response to be freed.

#### Return values

None.

---

## 3.2 Java-Language Binding for ExecuteAPI function

The APIJavaBinding class serves as a Java-language binding for the functions defined in this document series. It has only one method ExecuteAPI which processes XML encoded function calls and returns XML encoded function call responses.

### Prototype

```
public class APIJavaBinding {
    public static String ExecuteAPI (String functionCall) throws APIException {}
}
```

### Parameters

functionCall  
XML encoded function call as a Java String.

### Returns

XML encoded function call response as a Java String.

### Throws

```
public class APIException extends Exception {
    public enum APIExceptionReason {ApiXmlError, ApiGenericError};

    APIExceptionReason reason;
    public APIException(APIExceptionReason reason) {
        this.reason = reason;
    }
    public APIExceptionReason getReason() {
        return reason;
    }
    public String getMessage() {
        switch (reason) {
            case ApiXmlError:
                return "Error in parsing XML encoded function call.";
            default:
                return "Generic error.";
        }
    }
}
```

---

## 4 Basic definitions

### 4.1 Request- and ResponseType

The RequestType used in the eCard-API-Framework and in [ISO24727-3] and [ISO24727-4] is based on the RequestBaseType defined in the [DSS] (with restrictions), and as a ResponseType uses the ResponseBaseType defined in [DSS]. Thus, trouble-free combination of the interfaces from [ISO24727-3] and [ISO24727-4] is possible with those of [DSS] and related profiles.

#### 4.1.1 RequestType

The RequestType used in the eCard-API-Framework and in ISO/IEC 24727 is defined as follows:

```
<complexType name="RequestType">
  <complexContent>
    <restriction base="dss:RequestBaseType">
    </restriction>
  </complexContent>
</complexType>
```

#### 4.1.2 ResponseType

The ResponseType used in the eCard-API-Framework and in ISO/IEC 24727 is based on [DSS] and is defined as follows:

```
<complexType name="ResponseType">
  <complexContent>
    <restriction base="dss:ResponseBaseType">
      <sequence>
        <element ref="dss:Result"/>
      </sequence>
    </restriction>
  </complexContent>
</complexType>
```

As a result, of the functions standardised by ISO/IEC only the `dss:Result` element of [DSS] is used in the ResponseType, which contains the respective status information and is described in more detail below.

With the [DSS] compliant functions in [CEN15480-3], the ResponseType is used directly from [DSS] so that the optional parameter `dss:OptionalOutputs` is also available.

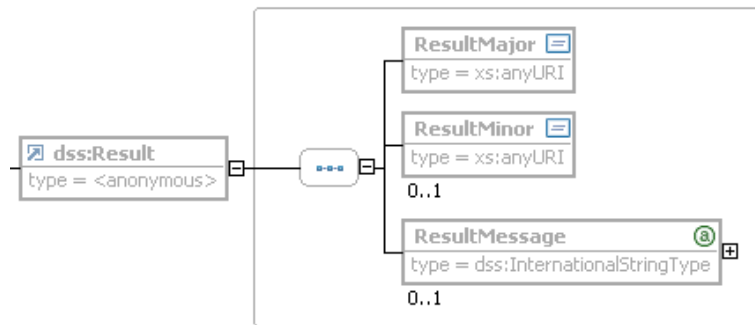


Figure 1: The *dss:Result* element

The *Result* element contains a mandatory *ResultMajor* element as a URI and MAY additionally contain a *ResultMinor* element as an URI, and with the *ResultMessage*, also an additional message. The URIs used in the *ResponseType* of the eCard-API-Framework have the prefix <http://www.bsi.bund.de/ecard/api/1.1>, which is supplemented by a corresponding identifier.

The following URIs therefore result for *ResultMajor*, the meaning of which is described in detail below:

- <http://www.bsi.bund.de/ecard/api/1.1/resultmajor#ok>
- <http://www.bsi.bund.de/ecard/api/1.1/resultmajor#error>
- <http://www.bsi.bund.de/ecard/api/1.1/resultmajor#warning>

The error messages in the *ResultMinor* element have the prefix

<http://www.bsi.bund.de/ecard/api/1.1/resultminor/>, and are supplemented by the respective error code.

The URI <http://www.bsi.bund.de/ecard/api/1.1/resultminor/al/common#noPermission> shows, for example, that the use of the function by the Client application is not permitted (refer to Section 4.2).

ResultMajor	<p>The following values are defined for the <i>ResultMajor</i> element:</p> <ul style="list-style-type: none"> <li>• <a href="http://www.bsi.bund.de/ecard/api/1.1/resultmajor#ok">http://www.bsi.bund.de/ecard/api/1.1/resultmajor#ok</a> No error occurred during execution of the operation.</li> <li>• <a href="http://www.bsi.bund.de/ecard/api/1.1/resultmajor#error">http://www.bsi.bund.de/ecard/api/1.1/resultmajor#error</a> An error occurred during execution of the operation. The reason for the error is shown by the URI (or the respective error code) for <i>ResultMinor</i>.</li> <li>• <a href="http://www.bsi.bund.de/ecard/api/1.1/resultmajor#warning">http://www.bsi.bund.de/ecard/api/1.1/resultmajor#warning</a> If the result of the operation is in principle OK, but there is a detail which may require closer investigation, a warning is given as a response.</li> <li>• <a href="http://www.bsi.bund.de/ecard/api/1.1/resultmajor#nextRequest">http://www.bsi.bund.de/ecard/api/1.1/resultmajor#nextRequest</a> This result appears if at least one more request is expected within a protocol.</li> </ul> <p>Stating the <i>ResultMajor</i> element is REQUIRED. If no error has occurred, the message <a href="http://www.bsi.bund.de/ecard/api/1.1/resultmajor#ok">../resultmajor#ok</a> is output. If, however, a warning or error has occurred, a description MUST be given in the <i>ResultMinor</i> element.</p>
ResultMinor	<p>If the <i>ResultMajor</i>-element contains the value <a href="http://www.bsi.bund.de/ecard/api/1.1/resultmajor#error">../resultmajor#error</a> or <a href="http://www.bsi.bund.de/ecard/api/1.1/resultmajor#warning">../resultmajor#warning</a> is displayed in the <i>ResultMajor</i> element, a more detailed description MUST be given with the <i>ResultMinor</i> element. The URIs returned in this element are defined in Section 4.2.</p>
ResultMessage	<p>MAY contain additional URIs if necessary (if several errors or warnings occur)</p>



---

or more detailed information on the error which has occurred. The required <code>xml:lang-Attribute</code> SHOULD be set according to [ISO639-1].
---

## 4.2 Codes for errors and warnings

The occurring errors are assigned to the levels of the eCard-API-Framework with the aid of the prefixes of the URI as follows:

- <http://www.bsi.bund.de/ecard/api/1.1/resultminor/al> - The cause of the error must be assigned to the application layer.
- <http://www.bsi.bund.de/ecard/api/1.1/resultminor/dp> - The cause of the error must be assigned to the dispatcher.
- <http://www.bsi.bund.de/ecard/api/1.1/resultminor/il> - The cause of the error must be assigned to the identity layer.
- <http://www.bsi.bund.de/ecard/api/1.1/resultminor/sal> - The cause of the error must be assigned to the service access layer.
- <http://www.bsi.bund.de/ecard/api/1.1/resultminor/ifdl> - The cause of the error must be assigned to the Terminal-Layer.

In addition, the errors or warnings are grouped in the respective interface, if necessary by an additional directory level.

The error descriptions stated in round brackets (API\_xyz) correspond to those defined in [CEN15480-3], [ISO24727-3] or [ISO24727-4].

### 4.2.1 Error codes from the Application-Layer

The error codes assigned to this layer indicate operation errors of the applications using the eCard-API-Framework. These include in particular incorrect or faulty (configuration) data.

#### 4.2.1.1 CardInfo

The error codes of the errors which can occur in conjunction with faulty invocations of the management functions for CardInfo structures are grouped in the CardInfo category.

The following table contains the error codes and the corresponding description.

Error code	Error description
<a href="#">.../al/CardInfo#addNotPossible</a>	<b>CardInfo file cannot be added</b>
<a href="#">.../al/CardInfo#notExisting</a>	<b>CardInfo file does not exist</b>
<a href="#">.../al/CardInfo#deleteNotPossible</a>	<b>CardInfo file cannot be deleted</b>
<a href="#">.../al/CardInfo#alreadyExisting</a>	<b>The CardInfo file already exists</b>
<a href="#">.../al/CardInfo#incorrectFile</a>	<b>The CardInfo file is incorrect</b>

---

### 4.2.1.2 Common

This section describes error codes caused by incorrect use of the API functions in general and which cannot be assigned to any particular range of functions.

The following table contains the error codes and the corresponding description.

Error code	Error description
<a href="#">.../al/common#unknownError</a>	<b>There was some unknown error</b> An unexpected error has occurred during processing which cannot be represented by the standard codes or specific service error codes. The error and detail texts can describe the error more closely. (API_UNKNOWN_ERROR)
<a href="#">.../al/common#noPermission</a>	<b>Use of the function by the client application is not permitted</b>
<a href="#">.../al/common#internalError</a>	<b>Internal error</b>
<a href="#">.../al/common#incorrectParameter</a>	<b>Parameter error</b> There was some problem with a provided or omitted parameter. (API_INCORRECT_PARAMETER)
<a href="#">.../al/common#unknownAPIFunction</a>	<b>API function unknown</b>
<a href="#">.../al/common#notInitialized</a>	<b>Framework or layer not initialised</b>
<a href="#">.../al/common#warningConnectionDisconnected</a>	<b>Warning indicating termination of an active session</b> (API_WARNING_CONNECTION_DISCONNECTED)
<a href="#">.../al/common#SessionTerminatedWarning</a>	<b>Warning indicating termination of an active session</b> (API_WARNING_SESSION_ENDED)

### 4.2.1.3 FrameworkUpdate

This section describes the error codes which can occur during execution of a framework update.

The following table contains the error codes and the corresponding description.

Error code	Error description
<a href="#">.../al/FrameworkUpdate#serviceNotAvailable</a>	<b>Update service is not accessible</b>
<a href="#">.../al/FrameworkUpdate#unknownModule</a>	<b>Unknown module</b>
<a href="#">.../al/FrameworkUpdate#invalidVersionNumber</a>	<b>Invalid version number for module</b>
<a href="#">.../al/FrameworkUpdate#operationSystemNotSupported</a>	<b>Operating system not supported</b>
<a href="#">.../al/FrameworkUpdate#noSpaceAvailable</a>	<b>No available space</b>
<a href="#">.../al/FrameworkUpdate#securityConditionsNotSatisfied</a>	<b>Access denied</b>

---

#### 4.2.1.4 IFD

The following errors can occur as the result of incorrect information during management of card terminals. These errors are grouped in the IFD category.

The following table contains the error codes and the corresponding description.

Error code	Error description
<a href="#">.../al/IFD#writeConfigurationNotPossible</a>	<b>The card terminal configuration cannot be written</b>
<a href="#">.../al/IFD#couldNotAdd</a>	<b>The card terminal cannot be added</b>
<a href="#">.../al/IFD#deleteNotPossible</a>	<b>The card terminal cannot be deleted</b>
<a href="#">.../al/IFD#addNotPossible</a>	<b>The card terminal already exists</b>

#### 4.2.1.5 Trusted viewer

The following errors can occur during use of the management functions for trusted viewers.

The following table contains the error codes and the corresponding description.

Error code	Error description
<a href="#">.../al/TrustedViewer#deleteNotPossible</a>	<b>The trusted viewer cannot be deleted</b>
<a href="#">.../al/TrustedViewer#invalidID</a>	<b>Invalid TrustedViewerId</b>
<a href="#">.../al/TrustedViewer#invalidConfiguration</a>	<b>Invalid configuration information for the trusted viewer</b>
<a href="#">.../al/TrustedViewer#alreadyExisting</a>	<b>The trusted viewer already exists with the entered ID</b>

#### 4.2.1.6 TSL

The following error codes are generated by the functions for management of trust service status lists (TSLs).

The following table contains the error codes and the corresponding description.

Error code	Error description
<a href="#">.../al/TSL#TSLSequenceNumberIgnoredWarning</a>	<b>TSLSequenceNumber has been ignored</b> As only a TSLSequenceNumber but no SchemeName has been specified, the TSLSequenceNumber-element has been ignored.

### 4.2.2 Error codes from the Dispatcher

The errors caused by communication to and from the eCard-API-Framework are described here.

The following table contains the error codes and the corresponding description.

Error code	Error description
<a href="#">.../dp#timeoutError</a>	<b>Time exceeded (timeout)</b>

	The operation was terminated as the set time was exceeded.
<a href="#">../dp#invalidChannelHandle</a>	<b>Invalid channel handle</b>
<a href="#">../dp#communicationError</a>	<b>Communication error</b> (API COMMUNICATION FAILURE)
<a href="#">../dp#trustedChannelEstablishmentFailed</a>	<b>Failure to open a trusted channel</b>
<a href="#">../dp#unknownProtocol</a>	<b>Unknown protocol</b>
<a href="#">../dp#unknownCipherSuite</a>	<b>Unknown cipher suite</b>
<a href="#">../dp#unknownWebserviceBinding</a>	<b>Unknown web service binding</b>
<a href="#">../dp#nodeNotReachable</a>	<b>Node not reachable</b>

### 4.2.3 Error codes from the Identity-Layer

Errors caused by the identity layer of the eCard-API-Framework are assigned to the identity layer.

#### 4.2.3.1 Algorithm

The errors of the identity layer caused by the algorithms stated for use are described in the following table.

<b>Error code</b>	<b>Error description</b>
<a href="#">../il/algorithm#hashAlgorithmNotSupported</a>	<b>Stated hash algorithm is not supported</b>
<a href="#">../il/algorithm#signatureAlgorithmNotSupported</a>	<b>The stated signature algorithm is not supported</b>

#### 4.2.3.2 CertificateRequest

The errors of the identity layer which can occur when a certificate is requested are grouped in this category.

The following table contains the error codes and the corresponding description.

<b>Error code</b>	<b>Error description</b>
<a href="#">../il/certificateRequest#unknownAttribute</a>	<b>Unknown attribute in the certificate application</b>
<a href="#">../il/certificateRequest#creationOfCertificateRequestFailed</a>	<b>Generation of the certificate application failed</b>
<a href="#">../il/certificateRequest#submissionFailed</a>	<b>Submission of the certificate application failed</b>
<a href="#">../il/certificateRequest#unknownTransactionID</a>	<b>Unknown transaction identifier</b>
<a href="#">../il/certificateRequest#certificateDownloadFailed</a>	<b>Not possible to collect the certificate</b>
<a href="#">../il/certificateRequest#subjectMissing</a>	<b>No subject specified in request</b>

---

### 4.2.3.3 Encryption

The Encryption category contains the errors of the identity layer which occur during encryption or decryption.

The following table contains the error codes and the corresponding description.

Error code	Error description
<a href="#">../il/encryption#encryptionOfCertainNodesOnlyForXMLDocuments</a>	<b>Specific nodes can only be encrypted in case of an XML document</b>
<a href="#">../il/encryption#encryptionFormatNotSupported</a>	<b>The encryption format is not supported</b>
<a href="#">../il/encryption#invalidCertificate</a>	<b>The encryption certificate of an intended recipient is invalid</b>

### 4.2.3.4 Key

The errors of the identity layer which can occur when a key is generated or keys are used are grouped in this category.

The following table contains the error codes and the corresponding description.

Error code	Error description
<a href="#">../il/key#keyGenerationNotPossible</a>	<b>Key generation is not possible</b>
<a href="#">../il/key#encryptionAlgorithmNotSupported</a>	<b>The stated encryption algorithm is not supported</b>

### 4.2.3.5 Service

The Service category contains the errors of the identity layer which occur due to the non-accessibility of the service to be used.

The following table contains the error codes and the corresponding description.

Error code	Error description
<a href="#">../il/service#ocspResponderUnreachable</a>	<b>The OCSP responder is inaccessible</b>
<a href="#">../il/service#directoryServiceUnreachable</a>	<b>The directory service is inaccessible</b>
<a href="#">../il/service#timeStampServiceUnreachable</a>	<b>The time stamp service is inaccessible</b>

### 4.2.3.6 Signature

All errors and warnings of the identity layer which occur during signature generation or signature verification are assigned to the Signature category.

The following table contains the error codes and the corresponding description.

Error code	Error description
<a href="#">../il/signature#signatureFormatNotSupported</a>	<b>The signature format is not supported</b> The stated signature or time stamp format is not supported.

<a href="#">.../il/signature#PDFSignatureForNonPDFDocument</a>	<b>PDF signature for non-PDF document requested</b>
<a href="#">.../il/signature#unableToIncludeEContentWarning</a>	<b>IncludeEContent not possible</b> This warning is returned if the <code>IncludeEContent</code> flag is set when a PDF signature or a time stamp is generated, or when a hash value is transmitted for signature generation.
<a href="#">.../il/signature#ignoredSignaturePlacementFlagWarning</a>	<b>The SignaturePlacement flag was ignored</b> This warning is returned when the <code>SignaturePlacement</code> flag was set for a non-XML-based signature.
<a href="#">.../il/signature#certificateNotFound</a>	<b>The certificate is not available</b> The stated certificate is not available for the function. This could be due to an incorrect reference or a deleted data field.
<a href="#">.../il/signature#certificateFormatNotCorrect</a>	<b>The certificate cannot be interpreted</b> The format of the stated certificate is unknown and cannot be interpreted.
<a href="#">.../il/signature#invalidCertificateReference</a>	<b>Invalid certificate reference</b>
<a href="#">.../il/signature#certificateChainInterrupted</a>	<b>The certificate chain is interrupted</b> The stated certificate chain is interrupted. It is therefore not possible to complete full verification up to the root certificate.
<a href="#">.../il/signature#resolutionOfObjectReferenceImpossible</a>	<b>It was not possible to resolve the object reference</b>
<a href="#">.../il/signature#transformationAlgorithmNotSupported</a>	<b>The transformation algorithm is not supported</b>
<a href="#">.../il/signature#unknownViewer</a>	<b>The viewer is unknown or not available</b>
<a href="#">.../il/signature#certificatePathNotValidated</a>	<b>The certificate path was not checked</b> Due to some problems it was not possible to validate the certificate path.
<a href="#">.../il/signature#certificateStatusNotChecked</a>	<b>The certificate status was not checked</b> Due to some problems it was not possible to check the certificate status.
<a href="#">.../il/signature#signatureManifestNotCheckedWarning</a>	<b>The signature manifest was not verified</b> This is a warning.
<a href="#">.../il/signature#suitabilityOfAlgorithmsNotChecked</a>	<b>The suitability of the signature and hash algorithms was not checked</b>
<a href="#">.../il/signature#detachedSignatureWithoutEContent</a>	<b>No signature-related data were found (detached signature without EContent)</b>

<a href="#">.../il/signature#improperRevocationInformation</a>	<b>It is not possible to interpret revocation information</b>
<a href="#">.../il/signature#invalidSignatureFormat</a>	<b>The signature format is incorrect</b> The format of the transmitted signature does not correspond to the respective specification. This error occurs when a supported format is recognised (e.g. in accordance with [RFC3275] or [RFC3369]), but the signature does not meet the respective form requirements. If the transmitted format was already not recognised, error / <a href="#">.../il/signature#signatureFormatNotSupported</a> is returned.
<a href="#">.../il/signature#signatureAlgorithmNotSuitable</a>	<b>The security of the signature algorithm is not suitable at the relevant point of time.</b>
<a href="#">.../il/signature#hashAlgorithmNotSuitable</a>	<b>The security of the hash algorithm is not suitable at the relevant point of time.</b>
<a href="#">.../il/signature#invalidCertificatePath</a>	<b>The certificate path is invalid</b>
<a href="#">.../il/signature#certificateRevoked</a>	<b>The certificate has been revoked</b>
<a href="#">.../il/signature#referenceTimeNotWithinCertificateValidityPeriod</a>	<b>The reference time is outside the validity period of a certificate</b>
<a href="#">.../il/signature#invalidCertificateExtension</a>	<b>Invalid extensions in a certificate</b>
<a href="#">.../il/signature#signatureManifestNotCorrect</a>	<b>Verification of a signature manifest has failed</b>
<a href="#">.../il/signature#signatureTypeDoesNotSupportSignatureFormClarificationWarning</a>	<b>The stated <code>SignatureType</code> does not support <code>SignatureForm</code> parameter</b>
<a href="#">.../il/signature#unknownSignatureForm</a>	<b>Unknown <code>SignatureForm</code></b>
<a href="#">.../il/signature#includeObjectOnlyForXMLSignatureAllowedWarning</a>	<b><code>IncludeObject</code> only permitted with XML signatures</b>
<a href="#">.../il/signature#xPathEvaluationError</a>	<b>It was not possible to resolve the XPath expression</b>
<a href="#">... /il/signature#wrongMessageDigest</a>	<b>Wrong message digest</b> The calculated digest of the message is not equal to the message digest in the <code>MessageDigest</code> -attribute of the <code>CMS-Signature</code> or the <code>DigestValue</code> -element of the XML-signature respectively.
<a href="#">.../il/signature#IFDInconsistency</a>	<b>IFD inconsistency</b> The compatibility-check with the present IFD failed.

---

### 4.2.3.7 Viewer

The Viewer category contains the errors which occur in connection with the trusted viewer within the identity layer.

The following table contains the error codes and the corresponding description.

Error code	Error description
<a href="#">.../il/viewer#unsuitableStylesheetForDocument</a>	<b>Unsuitable stylesheet for transmitted document</b>
<a href="#">.../il/viewer#cancellationByUser</a>	<b>Cancellation by the viewer</b>
<a href="#">.../il/viewer#timeout</a>	<b>Time exceeded (timeout)</b> The operation was terminated as the set time was exceeded.
<a href="#">.../il/viewer#viewerMessageTooLong</a>	The <b>ViewerMessage</b> is too long

## 4.2.4 Error codes from the Service-Access-Layer

Errors resulting from the Support-Interface or the ISO24727-3-Interface are assigned to the Service-Access-Layer.

### 4.2.4.1 Support-Interface

The following table contains the error codes and the corresponding description.

Error code	Error description
<a href="#">.../sal/support#encodingError</a>	<b>Encoding not possible</b>
<a href="#">.../sal/support#decodingError</a>	<b>Decoding not possible</b>
<a href="#">.../sal/support#schemaValidationError</a>	<b>Validation of the schema has failed</b>
<a href="#">.../sal/support#schemaValidationWarning</a>	<b>A warning occurred during validation of the schema.</b>
<a href="#">.../sal/support#noAppropriateSchema</a>	<b>No suitable schema is available</b>
<a href="#">.../sal/support#cardInfoRepositoryUnreachable</a>	<b>The CardInfo repository server is not accessible</b>

### 4.2.4.2 ISO24727-3-Interface

The following table contains the error codes and the corresponding description.

*Note: SAL-Protocols (see Part 7 of this Guideline) may define additional protocol specific error and warning codes.*

Error code	Error description
<a href="#">.../sal#cancellationByUser</a>	<b>Cancellation by the user</b>



	<p>A necessary user intervention (e.g. PIN entry or confirmation of the signature generation in the trusted viewer) was terminated by cancellation.</p> <p>(API_CANCELLATION_BY_USER)</p>
.../sal#nameExists	<p><b>The name already exists</b></p> <p>(API_NAME_EXISTS)</p>
.../sal#prerequisitesNotSatisfied	<p><b>The prerequisite is not met</b></p> <p>(API_PREREQUISITES_NOT_SATISFIED)</p>
.../sal#protocolNotRecognized	<p><b>Unknown protocol</b></p> <p>(API_PROTOCOL_NOT_RECOGNIZED)</p>
.../sal#inappropriateProtocolForAction	<p><b>Unsuitable protocol for the required action</b></p> <p>(API_INAPPROPRIATE_PROTOCOL_FOR_ACTION)</p>
.../sal#invalidSignature	<p><b>The verified signature is not valid</b></p> <p>(API_INVALID_SIGNATURE)</p>
.../sal#invalidKey	<p><b>The selected key is not valid</b></p> <p>(API_INVALID_KEY)</p>
.../sal#notInitialized	<p><b>No initialisation carried out</b></p> <p>The used operation requires initialisation</p> <p>(API_NOT_INITIALIZED)</p>
.../sal#tooManyResults	<p><b>Warning - Too many results</b></p> <p>(API_TOO_MANY_RESULTS)</p>
.../sal#warningConnectionDisconnected	<p><b>Warning - The connection has been disconnected</b></p> <p>(API_WARNING_CONNECTION_DISCONNECTED)</p>
.../sal#warningSessionEnded	<p><b>Warning – An established session was terminated</b></p> <p>(API_WARNING_SESSION_ENDED)</p>
.../sal#namedEntityNotFound	<p><b>The name does not exist</b></p> <p>The stated name of a card application service, DID, Data Set etc. does not exist.</p> <p>(API_NAMED_ENTITY_NOT_FOUND)</p>
.../sal#insufficientResources	<p><b>The resources are insufficient</b></p> <p>(API_INSUFFICIENT_RESOURCES)</p>
.../sal#securityConditionsNotSatisfied	<p><b>Access denied</b></p> <p>(API_SECURITY_CONDITION_NOT_SATISFIED)</p>

<a href="#">.../sal#exclusiveNotAvailable</a>	<b>Exclusive reservation is not possible</b> Exclusive reservation of the eCard is not possible, because other applications are currently accessing the eCard. (API_EXCLUSIVE_NOT_AVAILABLE)
<a href="#">.../sal#noActiveSession</a>	<b>Warning - there is no active session</b> This warning indicates that there is no active session, which can be terminated with <code>CardApplicationEndSession</code> .
<a href="#">.../sal#decryptionNotPossible</a>	<b>Decryption not possible</b> No suitable keys for decryption found
<a href="#">.../sal#invalidAccessControlInformation</a>	<b>Invalid access control information</b>
<a href="#">.../sal#unknownProtocol</a>	<b>Unknown protocol</b> The requested protocol is unknown
<a href="#">.../sal#unknownCardType</a>	<b>Unknown card type</b> Unknown card type specified
<a href="#">.../sal#unknownDIDName</a>	<b>Unknown DID name</b> Unknown DID name specified
<a href="#">.../sal#fileNotFound</a>	<b>File not found</b>

## 4.2.5 Error codes from the Terminal-Layer

Errors which occur in connection with the card terminal are assigned to the Terminal-Layer.

### 4.2.5.1 Common

The errors of the Terminal-Layer which are not assigned to any specific function are grouped in the Common category.

The following table contains the error codes and the corresponding description.

<b>Error code</b>	<b>Error description</b>
<a href="#">.../ifdl/common#timeoutError</a>	<b>Time exceeded (timeout)</b> The operation was terminated as the set time was exceeded. (API_TIMEOUT_ERROR)
<a href="#">.../ifdl/common#invalidContextHandle</a>	<b>Unknown context handle</b> (IFD_INVALID_CONTEXT_HANDLE)
<a href="#">.../ifdl/common#cancellationByUser</a>	<b>Cancellation by the user</b> A necessary user intervention (e.g. PIN entry) was terminated by cancellation.

	(IFD_CANCELLATION_BY_USER)
.../ifdl/common#unknownSessionIdentifier	<b>Unknown session identifier</b>
.../ifdl/common#invalidSlotHandle	<b>Unknown slot handle</b> (IFD_INVALID_SLOT_HANDLE)

#### 4.2.5.2 IO

The errors of the Terminal-Layer which occur in connection with the input or output of data on the terminal are grouped in the IO category.

The following table contains the error codes and the corresponding description.

<b>Error code</b>	<b>Error description</b>
.../ifdl/IO#unknownInputUnit	<b>Unknown input unit</b> (IFD_UNKNOWN_INPUT_UNIT)
.../ifdl/IO#unknownDisplayIndex	<b>Unknown display index</b> (IFD_UNKNOWN_DISPLAY_INDEX)
.../ifdl/IO#cancelNotPossible	<b>It is not possible to cancel the command</b> (IFD_CANCEL_NOT_POSSIBLE)
.../ifdl/IO#noTransactionStarted	<b>No smart card transaction has been started</b> (IFD_NO_TRANSACTION_STARTED)
.../ifdl/IO#repeatedDataMismatch	<b>Newly recorded identification data do not correspond</b> (IFD_REPEATED_DATA_MISMATCH)
.../ifdl/IO#unknownPINFormat	<b>Unknown pin format</b> (IFD_UNKNOWN_PIN_FORMAT)
.../ifdl/IO#unknownOutputDevice	<b>Unknwon output device</b>
.../ifdl/IO#unknownBiometricSubtype	<b>Unknown biometric sub-type</b> (IFD_UNKNOWN_BIOMETRIC_SUBTYPE)

#### 4.2.5.3 Terminal

The Terminal category groups the errors which occur due to the status or properties of the terminal.

The following table contains the error codes and the corresponding description.

<b>Error code</b>	<b>Error description</b>
.../ifdl/terminal#unknownIFD	<b>The card terminal does not exist</b> The addressed card terminal (IFDName) is unknown. (IFD_UNKNOWN_IFD)
.../ifdl/terminal#noCard	<b>No eCard available</b> The request was not successful, because there is

	no card captured by the indicated slot. (IFD_NO_CARD)
<a href="#">.../ifdl/terminal#IFDSharingVolation</a>	<b>The request was not successful, because the card is already used by another process</b> (IFD_SHARING_VIOLATION)
<a href="#">.../ifdl/terminal#unknownAction</a>	<b>Unknown Action</b> The requested action to be performed is unknown. (IFD_UNKNOWN_ACTION)
<a href="#">.../ifdl/terminal#unknownSlot</a>	<b>Unknown Slot</b>
<a href="#">.../ifdl/terminal#accessError</a>	<b>Access Error</b>

## 4.3 Additional URI definitions

This section contains other URI definitions.

### 4.3.1 Protocols

In addition to the protocols stipulated by ISO/IEC, the following protocols are also defined in [TR-03112-7]:

<http://www.bsi.bund.de/ecard/api/1.1/protocols/GetCertificate#SimpleEnrollmentProtocol>

<http://www.bsi.bund.de/ecard/api/1.1/protocols/FrameworkUpdate#BasicUpdateProtocol>

### 4.3.2 Properties

In addition to the URI defined for Properties in [DSS] and [AdES], the following are also used in SignRequest from [CEN15480-3]:

<http://www.bsi.bund.de/ecard/api/1.1/properties/previousTimeStampHash>

### 4.3.3 CardInfo

In the GetCardInfoOrACD function from [TR-03112-5], the actions to be executed are specified with the following URIs:

<http://www.bsi.bund.de/ecard/api/1.1/cardinfo/action#getSpecifiedFile>

<http://www.bsi.bund.de/ecard/api/1.1/cardinfo/action#getRelatedFiles>

<http://www.bsi.bund.de/ecard/api/1.1/cardinfo/action#getOtherFiles>

## 4.4 Mandatory use of Profile-attribute in responses

As specified in Section 2.10 of [DSS] any request MAY contain a Profile-attribute. All responses defined in the present specification MUST include a Profile-attribute equal to

<http://www.bsi.bund.de/ecard/api/1.1>.

---

## 5 List of Abbreviations

<b>ACL</b>	Access Control List
<b>ATR</b>	Answer to Reset
<b>ATS</b>	Answer to Select
<b>CAMS</b>	Card Application Management System
<b>DID</b>	Differential-Identity
<b>DSI</b>	Data Structure for Interoperability
<b>ICC</b>	Integrated Circuit Card
<b>ICCSN</b>	ICC Serial Number
<b>IFD</b>	Interface Device
<b>OAEP</b>	Optimal Asymmetric Encryption Padding
<b>OCSP</b>	Online Certificate Status Protocol
<b>PAN</b>	Primary Account Number
<b>PCD</b>	Proximity Coupling Device
<b>PIN</b>	Personal Identification Number
<b>PUK</b>	Personal Unblocking Key
<b>SAL</b>	Service Access Layer
<b>SICCT</b>	Secure Interoperable Chipcard Terminal
<b>SSL</b>	Secure Sockets Layer
<b>TLS</b>	Transport Layer Security
<b>TSL</b>	Trusted Service List
<b>TSP</b>	Time Stamping Protocol
<b>WSDL</b>	Webservice Description Language
<b>XSD</b>	XML Schema Definition

---

## 6 Index of XML data types

The following list of XML data types provides a reference to the schema definition file (cf. Section 2.3) in which the respective data type (complexType and simpleType) is defined.

APIAccessControlListType	→ (complex)	Management.xsd
APIAccessControlRuleType	→ (complex)	Management.xsd
APIAccessEntryPointName	→ (simple)	ISO24727-3.xsd
APIAccessRuleType	→ (complex)	Management.xsd
APIAuthenticationStateType	→ (complex)	Management.xsd
APISecurityConditionType	→ (complex)	Management.xsd
ATRInterfaceBytesType	→ (complex)	CardInfo.xsd
ATRType	→ (complex)	CardInfo.xsd
ATSInterfaceBytesType	→ (complex)	CardInfo.xsd
ATSType	→ (complex)	CardInfo.xsd
AccessControlListType	→ (complex)	ISO24727-3.xsd
AccessRuleType	→ (complex)	ISO24727-3.xsd
ActionNameType	→ (complex)	ISO24727-3.xsd
ActionType	→ (complex)	oasis-sstc-saml-schema-protocol-1.xsd
ActionType	→ (complex)	saml-schema-assertion-2.0.xsd
ActionType	→ (simple)	ISOIFD.xsd
AddCertificateOptionsType	→ (complex)	Management.xsd
AdditionalInformationType	→ (complex)	draft_ts102231v020101xsd.xsd
AdditionalInformationType	→ (complex)	gematik-TSL-02231v2.xsd
AdditionalInformationType	→ (complex)	ts_102231v030102_xsd.xsd
AdditionalServiceInformationType	→ (complex)	ts_102231v030102_xsd.xsd
AdditionalTimeInfoType	→ (complex)	oasis-dss-core-schema-v1.0-os.xsd
AddressType	→ (complex)	draft_ts102231v020101xsd.xsd
AddressType	→ (complex)	gematik-TSL-02231v2.xsd
AddressType	→ (complex)	ts_102231v030102_xsd.xsd
AdviceType	→ (complex)	oasis-sstc-saml-schema-protocol-1.xsd
AdviceType	→ (complex)	saml-schema-assertion-2.0.xsd
AgreementMethodType	→ (complex)	xenc-schema.xsd
AlgorithmIdentifierType	→ (complex)	ISO24727-Protocols.xsd
AlgorithmInfoType	→ (complex)	ISO24727-Protocols.xsd
AlgorithmValidityType	→ (complex)	oasis-dssx-1.0-profiles-verification-report-cs1.xsd
AltMVDMessagesType	→ (complex)	ISOIFD.xsd
AltVUMessagesType	→ (complex)	ISOIFD.xsd
AnyType	→ (complex)	XAdES-1-3-2.xsd
AnyType	→ (complex)	draft_ts102231v020101xsd.xsd
AnyType	→ (complex)	gematik-TSL-02231v2.xsd
AnyType	→ (complex)	oasis-dss-core-schema-v1.0-os.xsd
AnyType	→ (complex)	ts_102231v030102_xsd.xsd
ApplicationCapabilitiesType	→ (complex)	CardInfo.xsd
ApplicationDataRefType	→ (complex)	CardInfo.xsd
ApplicationIdentifierType	→ (simple)	ISO24727-3.xsd
ArchiveTimeStampValidityType	→ (complex)	oasis-dssx-1.0-profiles-verification-report-cs1.xsd
AssertionType	→ (complex)	oasis-sstc-saml-schema-protocol-1.xsd

---

AssertionType	→ (complex)	saml-schema-assertion-2.0.xsd
AttachmentReferenceType	→ (complex)	oasis-dss-core-schema-v1.0-os.xsd
AttrCertIDType	→ (complex)	oasis-dssx-1.0-profiles-verification-report-cs1.xsd
Attribute	→ (complex)	xmlers-schema-draft-v0.3.xsd
AttributeCertificateContentType	→ (complex)	oasis-dssx-1.0-profiles-verification-report-cs1.xsd
AttributeCertificateValidityType	→ (complex)	oasis-dssx-1.0-profiles-verification-report-cs1.xsd
AttributeDesignatorType	→ (complex)	oasis-sstc-saml-schema-protocol-1.xsd
AttributeStatementType	→ (complex)	oasis-sstc-saml-schema-protocol-1.xsd
AttributeStatementType	→ (complex)	saml-schema-assertion-2.0.xsd
AttributeType	→ (complex)	oasis-dssx-1.0-profiles-verification-report-cs1.xsd
AttributeType	→ (complex)	oasis-sstc-saml-schema-protocol-1.xsd
AttributeType	→ (complex)	saml-schema-assertion-2.0.xsd
AttributeValue	→ (complex)	xmlers-schema-draft-v0.3.xsd
Attributes	→ (complex)	xmlers-schema-draft-v0.3.xsd
AudienceRestrictionConditionType	→ (complex)	oasis-sstc-saml-schema-protocol-1.xsd
AudienceRestrictionType	→ (complex)	saml-schema-assertion-2.0.xsd
AuthenticationStatementType	→ (complex)	oasis-sstc-saml-schema-protocol-1.xsd
AuthnContextType	→ (complex)	saml-schema-assertion-2.0.xsd
AuthnStatementType	→ (complex)	saml-schema-assertion-2.0.xsd
AuthorityBindingType	→ (complex)	oasis-sstc-saml-schema-protocol-1.xsd
AuthorizationDecisionStatementType	→ (complex)	oasis-sstc-saml-schema-protocol-1.xsd
AuthorizationServiceActionName	→ (simple)	ISO24727-3.xsd
AuthzDecisionStatementType	→ (complex)	saml-schema-assertion-2.0.xsd
BaseIDAbstractType	→ (complex)	saml-schema-assertion-2.0.xsd
BasePointParamsType	→ (complex)	ecdsa.xsd
BasicRequirementsType	→ (simple)	CardInfo.xsd
BioSensorCapabilityType	→ (complex)	ISOIFD.xsd
BiometricInputType	→ (complex)	ISOIFD.xsd
BitReqType	→ (complex)	CardInfo.xsd
BitString	→ (simple)	ISOIFD.xsd
ByteMaskType	→ (complex)	CardInfo.xsd
ByteType	→ (simple)	ISO24727-Protocols.xsd
CAAuthenticationTokenType	→ (complex)	ISO24727-Protocols.xsd
CADIDCreateDataType	→ (complex)	ISO24727-Protocols.xsd
CADIDUpdateDataType	→ (complex)	ISO24727-Protocols.xsd
CAInputType	→ (complex)	ISO24727-Protocols.xsd
CAKeyInfoType	→ (complex)	ISO24727-Protocols.xsd
CAMarkerType	→ (complex)	ISO24727-Protocols.xsd
CRLContentType	→ (complex)	oasis-dssx-1.0-profiles-verification-report-cs1.xsd
CRLIdentifierType	→ (complex)	XAdES-1-3-2.xsd
CRLRefType	→ (complex)	XAdES-1-3-2.xsd
CRLRefsType	→ (complex)	XAdES-1-3-2.xsd
CRLValidityType	→ (complex)	oasis-dssx-1.0-profiles-verification-report-cs1.xsd
CRLValuesType	→ (complex)	XAdES-1-3-2.xsd
CanonicalizationMethodType	→ (complex)	xmldsig-core-schema.xsd
CanonicalizationMethodType	→ (complex)	xmlers-schema-draft-v0.3.xsd
CapabilityInfoType	→ (complex)	CardInfoRepository.xsd
CardApplicationPathType	→ (complex)	ISO24727-3.xsd

---

CardApplicationServiceActionName	→ (simple)	ISO24727-3.xsd
CardApplicationServiceDescriptionType	→ (complex)	ISO24727-3.xsd
CardApplicationServiceLoadPackageType	→ (simple)	ISO24727-3.xsd
CardApplicationServiceType	→ (complex)	CardInfo.xsd
CardApplicationType	→ (complex)	CardInfo.xsd
CardCallSequenceType	→ (complex)	ISO24727-Protocols.xsd
CardCallType	→ (complex)	ISO24727-Protocols.xsd
CardCapabilitiesType	→ (complex)	CardInfo.xsd
CardIdentificationType	→ (complex)	CardInfo.xsd
CardInfoType	→ (complex)	CardInfo.xsd
CardTypeType	→ (complex)	CardInfo.xsd
CertIDListType	→ (complex)	XAdES-1-3-2.xsd
CertIDType	→ (complex)	XAdES-1-3-2.xsd
CertificateContentType	→ (complex)	oasis-dssx-1.0-profiles-verification-report-cs1.xsd
CertificatePathValidityType	→ (complex)	oasis-dssx-1.0-profiles-verification-report-cs1.xsd
CertificatePathValidityVerificationDetailType	→ (complex)	oasis-dssx-1.0-profiles-ver.-report-cs1.xsd
CertificateRefType	→ (complex)	ISO24727-Protocols.xsd
CertificateStatusType	→ (complex)	oasis-dssx-1.0-profiles-verification-report-cs1.xsd
CertificateValidityType	→ (complex)	oasis-dssx-1.0-profiles-verification-report-cs1.xsd
CertificateValuesType	→ (complex)	XAdES-1-3-2.xsd
CertificateValuesType	→ (complex)	oasis-dssx-1.0-profiles-verification-report-cs1.xsd
CertifiedRolesListType	→ (complex)	XAdES-1-3-2.xsd
CertifiedRolesListType	→ (complex)	oasis-dssx-1.0-profiles-verification-report-cs1.xsd
ChannelHandleType	→ (complex)	ISOCCommon.xsd
CharTwoFieldElemType	→ (complex)	ecdsa.xsd
CharTwoFieldParamsType	→ (complex)	ecdsa.xsd
CipherDataType	→ (complex)	xenc-schema.xsd
CipherReferenceType	→ (complex)	xenc-schema.xsd
ClaimedRolesListType	→ (complex)	XAdES-1-3-2.xsd
CommandSpecificLengthInfoType	→ (complex)	CardInfo.xsd
CommitmentTypeIndicationType	→ (complex)	XAdES-1-3-2.xsd
CommitmentTypeQualifiersListType	→ (complex)	XAdES-1-3-2.xsd
CompleteCertificateRefsType	→ (complex)	XAdES-1-3-2.xsd
CompleteRevocationRefsType	→ (complex)	XAdES-1-3-2.xsd
ConclusionType	→ (complex)	ISO24727-Protocols.xsd
ConditionAbstractType	→ (complex)	oasis-sstc-saml-schema-protocol-1.xsd
ConditionAbstractType	→ (complex)	saml-schema-assertion-2.0.xsd
ConditionsType	→ (complex)	oasis-sstc-saml-schema-protocol-1.xsd
ConditionsType	→ (complex)	saml-schema-assertion-2.0.xsd
ConnectionHandleType	→ (complex)	ISO24727-3.xsd
ConnectionServiceActionName	→ (simple)	ISO24727-3.xsd
ContextHandleType	→ (simple)	ISOCCommon.xsd
CounterSignatureType	→ (complex)	XAdES-1-3-2.xsd
CryptoBinary	→ (simple)	xmldsig-core-schema.xsd
CryptoDIDUpdateDataType	→ (complex)	ISO24727-Protocols.xsd
CryptoKeyInfoType	→ (complex)	ISO24727-Protocols.xsd
CryptoMarkerType	→ (complex)	ISO24727-Protocols.xsd
CryptographicServiceActionName	→ (simple)	ISO24727-3.xsd



---

CurveParamsType	→ (complex)	ecdsa.xsd
DIDAbstractMarkerType	→ (complex)	ISO24727-3.xsd
DIDAuthenticationDataType	→ (complex)	ISO24727-3.xsd
DIDAuthenticationStateType	→ (complex)	ISO24727-3.xsd
DIDInfoType	→ (complex)	CardInfo.xsd
DIDMarkerType	→ (complex)	ISO24727-Protocols.xsd
DIDNameListType	→ (complex)	ISO24727-3.xsd
DIDNameType	→ (simple)	ISO24727-3.xsd
DIDQualifierType	→ (complex)	ISO24727-3.xsd
DIDScopeType	→ (simple)	ISO24727-3.xsd
DIDStructureType	→ (complex)	ISO24727-3.xsd
DIDUpdateDataType	→ (complex)	ISO24727-3.xsd
DSAPublicKeyValueType	→ (complex)	xmldsig-core-schema.xsd
DSINameListType	→ (complex)	ISO24727-3.xsd
DSINameType	→ (simple)	ISO24727-3.xsd
DSIType	→ (complex)	CardInfo.xsd
DataMaskType	→ (complex)	ISO24727-Protocols.xsd
DataObjectFormatType	→ (complex)	XAdES-1-3-2.xsd
DataRefType	→ (complex)	ISO24727-Protocols.xsd
DataSetInfoType	→ (complex)	CardInfo.xsd
DataSetNameListType	→ (complex)	ISO24727-3.xsd
DataSetNameType	→ (simple)	ISO24727-3.xsd
DecisionType	→ (simple)	oasis-sstc-saml-schema-protocol-1.xsd
DecisionType	→ (simple)	saml-schema-assertion-2.0.xsd
DefaultParametersType	→ (complex)	Management.xsd
DestinationSelectorType	→ (complex)	oasis-dssx-1.0-profiles-encryption-0.5.xsd
DetailType	→ (complex)	oasis-dss-core-schema-v1.0-os.xsd
DetailedSignatureReportType	→ (complex)	oasis-dssx-1.0-profiles-verification-report-cs1.xsd
DifferentialIdentityServiceActionName	→ (simple)	ISO24727-3.xsd
DifferentialIdentityType	→ (complex)	CardInfo.xsd
DigestAlgAndValueType	→ (complex)	XAdES-1-3-2.xsd
DigestMethodType	→ (complex)	xmldsig-core-schema.xsd
DigestMethodType	→ (complex)	xmldsig-core-schema.xsd
DigestValueType	→ (simple)	xmldsig-core-schema.xsd
DigitalIdentityListType	→ (complex)	draft_ts102231v020101xsd.xsd
DigitalIdentityListType	→ (complex)	gematik-TSL-02231v2.xsd
DigitalIdentityListType	→ (complex)	ts_102231v030102_xsd.xsd
DigitalIdentityType	→ (complex)	draft_ts102231v020101xsd.xsd
DigitalIdentityType	→ (complex)	gematik-TSL-02231v2.xsd
DigitalIdentityType	→ (complex)	ts_102231v030102_xsd.xsd
DisplayCapabilityType	→ (complex)	ISOIFD.xsd
DoNotCacheConditionType	→ (complex)	oasis-sstc-saml-schema-protocol-1.xsd
DocFormatType	→ (complex)	oasis-dss-profiles-AdES-schema-v1.0-os.xsd
DocReferenceType	→ (complex)	oasis-dss-profiles-AdES-schema-v1.0-os.xsd
DocReferencesType	→ (complex)	oasis-dss-profiles-AdES-schema-v1.0-os.xsd
DocsFormatType	→ (complex)	oasis-dss-profiles-AdES-schema-v1.0-os.xsd
DocumentBaseType	→ (complex)	oasis-dss-core-schema-v1.0-os.xsd
DocumentType	→ (complex)	oasis-dss-core-schema-v1.0-os.xsd

---

DocumentationReferencesType	→ (complex)	XAdES-1-3-2.xsd
DomainParamsType	→ (complex)	ecdsa.xsd
EAC1InputType	→ (complex)	ISO24727-Protocols.xsd
EAC1OutputType	→ (complex)	ISO24727-Protocols.xsd
EAC2InputType	→ (complex)	ISO24727-Protocols.xsd
EAC2OutputType	→ (complex)	ISO24727-Protocols.xsd
EACAdditionalInputType	→ (complex)	ISO24727-Protocols.xsd
EACMarkerType	→ (complex)	ISO24727-Protocols.xsd
EACSessionInputType	→ (complex)	ISO24727-Protocols.xsd
EACSessionOutputType	→ (complex)	ISO24727-Protocols.xsd
ECDSAKeyValueTypes	→ (complex)	ecdsa.xsd
ECPointType	→ (complex)	ecdsa.xsd
EFATRorINFOType	→ (complex)	CardInfo.xsd
ElectronicAddressType	→ (complex)	draft_ts102231v020101xsd.xsd
ElectronicAddressType	→ (complex)	gematik-TSL-02231v2.xsd
ElectronicAddressType	→ (complex)	ts_102231v030102_xsd.xsd
EmptyResponseDataType	→ (complex)	ISO24727-Protocols.xsd
EncapsulatedPKIDataType	→ (complex)	XAdES-1-3-2.xsd
EncryptedDataType	→ (complex)	xenc-schema.xsd
EncryptedDocumentType	→ (complex)	oasis-dssx-1.0-profiles-encryption-0.5.xsd
EncryptedElementType	→ (complex)	saml-schema-assertion-2.0.xsd
EncryptedKeyType	→ (complex)	xenc-schema.xsd
EncryptedType	→ (complex)	xenc-schema.xsd
EncryptionContentType	→ (complex)	oasis-dssx-1.0-profiles-encryption-0.5.xsd
EncryptionInfo	→ (complex)	xmlers-schema-draft-v0.3.xsd
EncryptionKeySelectorType	→ (complex)	oasis-dssx-1.0-profiles-encryption-0.5.xsd
EncryptionMethodType	→ (complex)	xenc-schema.xsd
EncryptionPropertiesType	→ (complex)	xenc-schema.xsd
EncryptionPropertyType	→ (complex)	xenc-schema.xsd
EntityType	→ (complex)	oasis-dssx-1.0-profiles-verification-report-cs1.xsd
EvidenceRecordType	→ (complex)	eCard.xsd
EvidenceRecordType	→ (complex)	xmlers-schema-draft-v0.3.xsd
EvidenceRecordValidityType	→ (complex)	oasis-dssx-1.0-profiles-verification-report-cs1.xsd
EvidenceType	→ (complex)	oasis-sstc-saml-schema-protocol-1.xsd
EvidenceType	→ (complex)	saml-schema-assertion-2.0.xsd
ExecuteActionConfirmationType	→ (simple)	ISO24727-3.xsd
ExecuteActionRequestType	→ (simple)	ISO24727-3.xsd
ExplicitParamsType	→ (complex)	ecdsa.xsd
ExtendedLengthInfoType	→ (complex)	CardInfo.xsd
ExtensionType	→ (complex)	draft_ts102231v020101xsd.xsd
ExtensionType	→ (complex)	gematik-TSL-02231v2.xsd
ExtensionType	→ (complex)	oasis-dssx-1.0-profiles-verification-report-cs1.xsd
ExtensionType	→ (complex)	ts_102231v030102_xsd.xsd
ExtensionsListType	→ (complex)	draft_ts102231v020101xsd.xsd
ExtensionsListType	→ (complex)	gematik-TSL-02231v2.xsd
ExtensionsListType	→ (complex)	ts_102231v030102_xsd.xsd
ExtensionsType	→ (complex)	oasis-dssx-1.0-profiles-verification-report-cs1.xsd
FalseType	→ (simple)	ISO24727-3.xsd

---

FieldElemType	→ (complex)	ecdsa.xsd
FieldParamsType	→ (complex)	ecdsa.xsd
FileRefReqType	→ (complex)	CardInfo.xsd
GenericTimeStampType	→ (complex)	XAdES-1-3-2.xsd
HMACOutputLengthType	→ (simple)	xmlldsig-core-schema.xsd
HashGenerationInfoType	→ (simple)	ISO24727-Protocols.xsd
HashHandleType	→ (simple)	ISO24727-Protocols.xsd
HashInputType	→ (complex)	ISO24727-Protocols.xsd
HashOutputType	→ (complex)	ISO24727-Protocols.xsd
HashTreeType	→ (complex)	xmlers-schema-draft-v0.3.xsd
HashValueType	→ (complex)	oasis-dssx-1.0-profiles-verification-report-cs1.xsd
IFDCapabilitiesType	→ (complex)	ISOIFD.xsd
IFDConfigurationType	→ (complex)	Management.xsd
IFDStatusType	→ (complex)	ISOIFD.xsd
ISO7816-4-CardCapabilitiesType	→ (complex)	CardInfo.xsd
ISO7816-4-CardServiceDataType	→ (complex)	CardInfo.xsd
IdentifierType	→ (complex)	XAdES-1-3-2.xsd
IdentifierType	→ (complex)	oasis-dssx-1.0-profiles-verification-report-cs1.xsd
IncludeType	→ (complex)	XAdES-1-3-2.xsd
IndividualReportType	→ (complex)	oasis-dssx-1.0-profiles-verification-report-cs1.xsd
InlineXMLType	→ (complex)	oasis-dss-core-schema-v1.0-os.xsd
InputAPDUInfoType	→ (complex)	ISOIFD.xsd
InputUnitType	→ (complex)	ISOIFD.xsd
InsertEncryptedDataType	→ (complex)	oasis-dssx-1.0-profiles-encryption-0.5.xsd
InstalledModuleInfoType	→ (complex)	eCard-Protocols.xsd
IntegerListType	→ (complex)	XAdES-1-3-2.xsd
InternationalNamesType	→ (complex)	draft_ts102231v020101xsd.xsd
InternationalNamesType	→ (complex)	gematik-TSL-02231v2.xsd
InternationalNamesType	→ (complex)	ts_102231v030102_xsd.xsd
InternationalStringType	→ (complex)	oasis-dss-core-schema-v1.0-os.xsd
KeyInfoConfirmationDataType	→ (complex)	saml-schema-assertion-2.0.xsd
KeyInfoType	→ (complex)	xmlldsig-core-schema.xsd
KeyPadCapabilityType	→ (complex)	ISOIFD.xsd
KeyRefType	→ (complex)	ISO24727-Protocols.xsd
KeySizeType	→ (simple)	xenc-schema.xsd
KeyValueType	→ (complex)	ISO24727-Protocols.xsd
KeyValueType	→ (complex)	xmlldsig-core-schema.xsd
LengthInfoType	→ (complex)	CardInfo.xsd
LocalizedMessagesType	→ (complex)	Management.xsd
ManifestType	→ (complex)	xmlldsig-core-schema.xsd
MatchingDataType	→ (complex)	ISO24727-Protocols.xsd
MatchingRuleType	→ (simple)	ISO24727-Protocols.xsd
ModuleInfoType	→ (complex)	eCard-Protocols.xsd
MultiLangNormStringType	→ (complex)	draft_ts102231v020101xsd.xsd
MultiLangNormStringType	→ (complex)	gematik-TSL-02231v2.xsd
MultiLangNormStringType	→ (complex)	ts_102231v030102_xsd.xsd
MultiLangStringType	→ (complex)	draft_ts102231v020101xsd.xsd
MultiLangStringType	→ (complex)	gematik-TSL-02231v2.xsd

---

MultiLangStringType	→ (complex)	ts_102231v030102_xsd.xsd
MutualAuthDIDAuthExternalAuthType	→ (complex)	ISO24727-Protocols.xsd
MutualAuthDIDAuthInternalAuthType	→ (complex)	ISO24727-Protocols.xsd
MutualAuthDIDAuthMutualAuthType	→ (complex)	ISO24727-Protocols.xsd
MutualAuthDIDUpdateDataType	→ (complex)	ISO24727-Protocols.xsd
MutualAuthMarkerType	→ (complex)	ISO24727-Protocols.xsd
NULL	→ (complex)	ISO24727-3.xsd
NameIDType	→ (complex)	saml-schema-assertion-2.0.xsd
NameIdentifierType	→ (complex)	oasis-sstc-saml-schema-protocol-1.xsd
NameType	→ (simple)	ISO24727-3.xsd
NamedDataServiceActionName	→ (simple)	ISO24727-3.xsd
NextUpdateType	→ (complex)	draft_ts102231v020101xsd.xsd
NextUpdateType	→ (complex)	gematik-TSL-02231v2.xsd
NextUpdateType	→ (complex)	ts_102231v030102_xsd.xsd
NonEmptyMultiLangURIListType	→ (complex)	draft_ts102231v020101xsd.xsd
NonEmptyMultiLangURIListType	→ (complex)	gematik-TSL-02231v2.xsd
NonEmptyMultiLangURIListType	→ (complex)	ts_102231v030102_xsd.xsd
NonEmptyMultiLangURIType	→ (complex)	draft_ts102231v020101xsd.xsd
NonEmptyMultiLangURIType	→ (complex)	gematik-TSL-02231v2.xsd
NonEmptyMultiLangURIType	→ (complex)	ts_102231v030102_xsd.xsd
NonEmptyNormalizedString	→ (simple)	draft_ts102231v020101xsd.xsd
NonEmptyNormalizedString	→ (simple)	gematik-TSL-02231v2.xsd
NonEmptyNormalizedString	→ (simple)	ts_102231v030102_xsd.xsd
NonEmptyString	→ (simple)	draft_ts102231v020101xsd.xsd
NonEmptyString	→ (simple)	gematik-TSL-02231v2.xsd
NonEmptyString	→ (simple)	ts_102231v030102_xsd.xsd
NonEmptyURIListType	→ (complex)	draft_ts102231v020101xsd.xsd
NonEmptyURIListType	→ (complex)	gematik-TSL-02231v2.xsd
NonEmptyURIListType	→ (complex)	ts_102231v030102_xsd.xsd
NonEmptyURIType	→ (simple)	draft_ts102231v020101xsd.xsd
NonEmptyURIType	→ (simple)	gematik-TSL-02231v2.xsd
NonEmptyURIType	→ (simple)	ts_102231v030102_xsd.xsd
NoticeReferenceType	→ (complex)	XAdES-1-3-2.xsd
OCSPContentType	→ (complex)	oasis-dssx-1.0-profiles-verification-report-cs1.xsd
OCSPIdentifierType	→ (complex)	XAdES-1-3-2.xsd
OCSPRefType	→ (complex)	XAdES-1-3-2.xsd
OCSPRefsType	→ (complex)	XAdES-1-3-2.xsd
OCSPValidityType	→ (complex)	oasis-dssx-1.0-profiles-verification-report-cs1.xsd
OCSPValuesType	→ (complex)	XAdES-1-3-2.xsd
ObjectIdentifier	→ (simple)	xmlers-schema-draft-v0.3.xsd
ObjectIdentifierType	→ (complex)	XAdES-1-3-2.xsd
ObjectType	→ (complex)	xmldsig-core-schema.xsd
OddCharExtensionFieldElemType	→ (complex)	ecdsa.xsd
OddCharExtensionFieldParamsType	→ (complex)	ecdsa.xsd
OneTimeUseType	→ (complex)	saml-schema-assertion-2.0.xsd
OpenType	→ (complex)	xmlers-schema-draft-v0.3.xsd
OtherCertStatusRefsType	→ (complex)	XAdES-1-3-2.xsd
OtherCertStatusValuesType	→ (complex)	XAdES-1-3-2.xsd

---

OtherTSLPointerType	→ (complex)	draft_ts102231v020101xsd.xsd
OtherTSLPointerType	→ (complex)	gematik-TSL-02231v2.xsd
OtherTSLPointerType	→ (complex)	ts_102231v030102_xsd.xsd
OtherTSLPointersType	→ (complex)	draft_ts102231v020101xsd.xsd
OtherTSLPointersType	→ (complex)	gematik-TSL-02231v2.xsd
OtherTSLPointersType	→ (complex)	ts_102231v030102_xsd.xsd
OtherTimeStampType	→ (complex)	XAdES-1-3-2.xsd
OutputInfoType	→ (complex)	ISOIFD.xsd
FACEDIDAuthenticateInputType	→ (complex)	ISO24727-Protocols.xsd
FACEDIDAuthenticateOutputType	→ (complex)	ISO24727-Protocols.xsd
FACEDIDUpdateDataType	→ (complex)	ISO24727-Protocols.xsd
FACEMarkerType	→ (complex)	ISO24727-Protocols.xsd
PGPDataType	→ (complex)	xmldsig-core-schema.xsd
FSSParameterType	→ (complex)	ISO24727-Protocols.xsd
PadCharType	→ (simple)	ISOIFD.xsd
PasswordAttributesType	→ (complex)	ISOIFD.xsd
PasswordFlagsType	→ (simple)	ISOIFD.xsd
PasswordTypeType	→ (simple)	ISOIFD.xsd
PathSecurityType	→ (complex)	ISOCCommon.xsd
PathType	→ (complex)	ISO24727-3.xsd
PinCompareDIDAuthenticateInputType	→ (complex)	ISO24727-Protocols.xsd
PinCompareDIDAuthenticateOutputType	→ (complex)	ISO24727-Protocols.xsd
PinCompareDIDUpdateDataType	→ (complex)	ISO24727-Protocols.xsd
PinCompareMarkerType	→ (complex)	ISO24727-Protocols.xsd
PinInputType	→ (complex)	ISOIFD.xsd
PnBFieldParamsType	→ (complex)	ecdsa.xsd
PolicyOrLegalnoticeType	→ (complex)	draft_ts102231v020101xsd.xsd
PolicyOrLegalnoticeType	→ (complex)	gematik-TSL-02231v2.xsd
PolicyOrLegalnoticeType	→ (complex)	ts_102231v030102_xsd.xsd
PolicySignaturePairType	→ (complex)	oasis-dssx-1.0-profiles-sigpolicy-schema-cd01.xsd
PolicySignaturePairsType	→ (complex)	oasis-dssx-1.0-profiles-sigpolicy-schema-cd01.xsd
PostalAddressListType	→ (complex)	draft_ts102231v020101xsd.xsd
PostalAddressListType	→ (complex)	gematik-TSL-02231v2.xsd
PostalAddressListType	→ (complex)	ts_102231v030102_xsd.xsd
PostalAddressType	→ (complex)	draft_ts102231v020101xsd.xsd
PostalAddressType	→ (complex)	gematik-TSL-02231v2.xsd
PostalAddressType	→ (complex)	ts_102231v030102_xsd.xsd
PrimeFieldElemType	→ (complex)	ecdsa.xsd
PrimeFieldParamsType	→ (complex)	ecdsa.xsd
ProfilingType	→ (simple)	CardInfo.xsd
PropertiesType	→ (complex)	oasis-dss-core-schema-v1.0-os.xsd
PropertiesType	→ (complex)	oasis-dssx-1.0-profiles-verification-report-cs1.xsd
ProtocolDataType	→ (complex)	eCard.xsd
ProxyRestrictionType	→ (complex)	saml-schema-assertion-2.0.xsd
QualifierType	→ (simple)	XAdES-1-3-2.xsd
QualifyingPropertiesReferenceType	→ (complex)	XAdES-1-3-2.xsd
QualifyingPropertiesType	→ (complex)	XAdES-1-3-2.xsd
RIDIDAuthInputType	→ (complex)	ISO24727-Protocols.xsd

---

RIDIDAuthOutputType	→ (complex)	ISO24727-Protocols.xsd
RIDIDUpdateDataType	→ (complex)	ISO24727-Protocols.xsd
RIMarkerType	→ (complex)	ISO24727-Protocols.xsd
RSAAuthDIDAuthExternalAuthType	→ (complex)	ISO24727-Protocols.xsd
RSAAuthDIDAuthInternalAuthType	→ (complex)	ISO24727-Protocols.xsd
RSAAuthDIDAuthMutualAuthType	→ (complex)	ISO24727-Protocols.xsd
RSAAuthDIDAuthVerifyCertsType	→ (complex)	ISO24727-Protocols.xsd
RSAAuthDIDUpdateDataType	→ (complex)	ISO24727-Protocols.xsd
RSAAuthMarkerType	→ (complex)	ISO24727-Protocols.xsd
RSAKeyValueType	→ (complex)	xmldsig-core-schema.xsd
ReferenceInfoType	→ (complex)	XAdES-1-3-2.xsd
ReferenceType	→ (complex)	xenc-schema.xsd
ReferenceType	→ (complex)	xmldsig-core-schema.xsd
RequestBaseType	→ (complex)	oasis-dss-core-schema-v1.0-os.xsd
RequestType	→ (complex)	ISOCCommon.xsd
RequirementsType	→ (complex)	CardInfo.xsd
ResponderIDType	→ (complex)	XAdES-1-3-2.xsd
ResponseAPDUType	→ (complex)	ISO24727-Protocols.xsd
ResponseBaseType	→ (complex)	oasis-dss-core-schema-v1.0-os.xsd
ResponseType	→ (complex)	ISOCCommon.xsd
RetrievalMethodType	→ (complex)	xmldsig-core-schema.xsd
RevocationValuesType	→ (complex)	XAdES-1-3-2.xsd
RevocationValuesType	→ (complex)	oasis-dssx-1.0-profiles-verification-report-cs1.xsd
SPKIDataType	→ (complex)	xmldsig-core-schema.xsd
SPUserNoticeType	→ (complex)	XAdES-1-3-2.xsd
SchemasType	→ (complex)	oasis-dss-core-schema-v1.0-os.xsd
SchemeTerritoryType	→ (simple)	draft_ts102231v020101xsd.xsd
SchemeTerritoryType	→ (simple)	gematik-TSL-02231v2.xsd
SchemeTerritoryType	→ (simple)	ts_102231v030102_xsd.xsd
SecurityConditionType	→ (complex)	ISO24727-3.xsd
SelectorType	→ (complex)	oasis-dssx-1.0-profiles-encryption-0.5.xsd
ServiceDigitalIdentityListType	→ (complex)	ts_102231v030102_xsd.xsd
ServiceHistoryInstanceType	→ (complex)	draft_ts102231v020101xsd.xsd
ServiceHistoryInstanceType	→ (complex)	gematik-TSL-02231v2.xsd
ServiceHistoryInstanceType	→ (complex)	ts_102231v030102_xsd.xsd
ServiceHistoryType	→ (complex)	draft_ts102231v020101xsd.xsd
ServiceHistoryType	→ (complex)	gematik-TSL-02231v2.xsd
ServiceHistoryType	→ (complex)	ts_102231v030102_xsd.xsd
ServiceSupplyPointsType	→ (complex)	draft_ts102231v020101xsd.xsd
ServiceSupplyPointsType	→ (complex)	gematik-TSL-02231v2.xsd
ServiceSupplyPointsType	→ (complex)	ts_102231v030102_xsd.xsd
ServiceType	→ (complex)	Management.xsd
SigPolicyQualifiersListType	→ (complex)	XAdES-1-3-2.xsd
SignOptionsType	→ (complex)	Management.xsd
SignatureGenerationType	→ (simple)	ISO24727-Protocols.xsd
SignatureMethodType	→ (complex)	xmldsig-core-schema.xsd
SignaturePolicyDetailsType	→ (complex)	oasis-dssx-1.0-profiles-sigpolicy-schema-cd01.xsd
SignaturePolicyIdType	→ (complex)	XAdES-1-3-2.xsd

---

SignaturePolicyIdentifierType	→ (complex)	XAdES-1-3-2.xsd
SignatureProductionPlaceType	→ (complex)	XAdES-1-3-2.xsd
SignaturePropertiesType	→ (complex)	xmldsig-core-schema.xsd
SignaturePropertyType	→ (complex)	xmldsig-core-schema.xsd
SignatureType	→ (complex)	xmldsig-core-schema.xsd
SignatureValidityType	→ (complex)	oasis-dssx-1.0-profiles-verification-report-cs1.xsd
SignatureValueType	→ (complex)	xmldsig-core-schema.xsd
SignedDataObjectPropertiesType	→ (complex)	XAdES-1-3-2.xsd
SignedDataObjectPropertiesType	→ (complex)	oasis-dssx-1.0-profiles-verification-report-cs1.xsd
SignedInfoType	→ (complex)	xmldsig-core-schema.xsd
SignedObjectIdentifierType	→ (complex)	oasis-dssx-1.0-profiles-verification-report-cs1.xsd
SignedPropertiesType	→ (complex)	XAdES-1-3-2.xsd
SignedPropertiesType	→ (complex)	oasis-dssx-1.0-profiles-verification-report-cs1.xsd
SignedSignaturePropertiesType	→ (complex)	XAdES-1-3-2.xsd
SignedSignaturePropertiesType	→ (complex)	oasis-dssx-1.0-profiles-verification-report-cs1.xsd
SignerRoleType	→ (complex)	XAdES-1-3-2.xsd
SignerRoleType	→ (complex)	oasis-dssx-1.0-profiles-verification-report-cs1.xsd
SigningTimeInfoType	→ (complex)	oasis-dss-core-schema-v1.0-os.xsd
SimpleEnrollmentInputType	→ (complex)	eCard-Protocols.xsd
SimpleEnrollmentOutputType	→ (complex)	eCard-Protocols.xsd
SimpleFUStatusType	→ (complex)	ISOIFD.xsd
SingleResponseType	→ (complex)	oasis-dssx-1.0-profiles-verification-report-cs1.xsd
SlotCapabilityType	→ (complex)	ISOIFD.xsd
SlotHandleType	→ (simple)	ISOCCommon.xsd
SlotStatusType	→ (complex)	ISOIFD.xsd
StartSessionInputType	→ (complex)	ISO24727-Protocols.xsd
StartSessionOutputType	→ (complex)	ISO24727-Protocols.xsd
StateClassType	→ (simple)	ISO24727-Protocols.xsd
StateInfoType	→ (complex)	ISO24727-Protocols.xsd
StateTransitionType	→ (complex)	ISO24727-Protocols.xsd
StateType	→ (complex)	ISO24727-Protocols.xsd
StatementAbstractType	→ (complex)	oasis-sstc-saml-schema-protocol-1.xsd
StatementAbstractType	→ (complex)	saml-schema-assertion-2.0.xsd
StyleSheetType	→ (complex)	eCard.xsd
SubjectConfirmationDataType	→ (complex)	saml-schema-assertion-2.0.xsd
SubjectConfirmationType	→ (complex)	oasis-sstc-saml-schema-protocol-1.xsd
SubjectConfirmationType	→ (complex)	saml-schema-assertion-2.0.xsd
SubjectLocalityType	→ (complex)	oasis-sstc-saml-schema-protocol-1.xsd
SubjectLocalityType	→ (complex)	saml-schema-assertion-2.0.xsd
SubjectPublicKeyInfoType	→ (complex)	ISO24727-Protocols.xsd
SubjectStatementAbstractType	→ (complex)	oasis-sstc-saml-schema-protocol-1.xsd
SubjectType	→ (complex)	oasis-sstc-saml-schema-protocol-1.xsd
SubjectType	→ (complex)	saml-schema-assertion-2.0.xsd
SupportedOperationsType	→ (simple)	ISO24727-Protocols.xsd
TAAuxInputType	→ (complex)	ISO24727-Protocols.xsd
TADIDAuthExternalAuthType	→ (complex)	ISO24727-Protocols.xsd
TADIDAuthInputType	→ (complex)	ISO24727-Protocols.xsd
TADIDAuthOutputType	→ (complex)	ISO24727-Protocols.xsd

---

TADIDUpdateDataType	→ (complex)	ISO24727-Protocols.xsd
TAMarkerType	→ (complex)	ISO24727-Protocols.xsd
TLS_PSK_ParametersType	→ (complex)	ISO24727-Protocols.xsd
TLSchemeInformationType	→ (complex)	draft_ts102231v020101xsd.xsd
TLSchemeInformationType	→ (complex)	gematik-TSL-02231v2.xsd
TLSchemeInformationType	→ (complex)	ts_102231v030102_xsd.xsd
TSLTagType	→ (simple)	draft_ts102231v020101xsd.xsd
TSLTagType	→ (simple)	gematik-TSL-02231v2.xsd
TSLTagType	→ (simple)	ts_102231v030102_xsd.xsd
TSLType	→ (complex)	Management.xsd
TSPInformationType	→ (complex)	draft_ts102231v020101xsd.xsd
TSPInformationType	→ (complex)	gematik-TSL-02231v2.xsd
TSPInformationType	→ (complex)	ts_102231v030102_xsd.xsd
TSPServiceInformationType	→ (complex)	draft_ts102231v020101xsd.xsd
TSPServiceInformationType	→ (complex)	gematik-TSL-02231v2.xsd
TSPServiceInformationType	→ (complex)	ts_102231v030102_xsd.xsd
TSPServiceType	→ (complex)	draft_ts102231v020101xsd.xsd
TSPServiceType	→ (complex)	gematik-TSL-02231v2.xsd
TSPServiceType	→ (complex)	ts_102231v030102_xsd.xsd
TSPServicesListType	→ (complex)	draft_ts102231v020101xsd.xsd
TSPServicesListType	→ (complex)	gematik-TSL-02231v2.xsd
TSPServicesListType	→ (complex)	ts_102231v030102_xsd.xsd
TSPType	→ (complex)	draft_ts102231v020101xsd.xsd
TSPType	→ (complex)	gematik-TSL-02231v2.xsd
TSPType	→ (complex)	ts_102231v030102_xsd.xsd
TSServiceType	→ (complex)	Management.xsd
TargetNameType	→ (complex)	ISO24727-3.xsd
TimeSignatureInstructionType	→ (complex)	oasis-dss-core-schema-v1.0-os.xsd
TimeStampValidityType	→ (complex)	oasis-dssx-1.0-profiles-verification-report-cs1.xsd
TnBFieldParamsType	→ (complex)	ecdsa.xsd
TransformType	→ (complex)	xmldsig-core-schema.xsd
TransformsType	→ (complex)	xenc-schema.xsd
TransformsType	→ (complex)	xmldsig-core-schema.xsd
TrueType	→ (simple)	ISO24727-3.xsd
TrustServiceProviderListType	→ (complex)	draft_ts102231v020101xsd.xsd
TrustServiceProviderListType	→ (complex)	gematik-TSL-02231v2.xsd
TrustServiceProviderListType	→ (complex)	ts_102231v030102_xsd.xsd
TrustStatusListType	→ (complex)	draft_ts102231v020101xsd.xsd
TrustStatusListType	→ (complex)	gematik-TSL-02231v2.xsd
TrustStatusListType	→ (complex)	ts_102231v030102_xsd.xsd
TrustedViewerIdType	→ (simple)	eCard.xsd
TrustedViewerInfoType	→ (complex)	eCard.xsd
TstContentType	→ (complex)	oasis-dssx-1.0-profiles-verification-report-cs1.xsd
UnregisterIFDMoDeType	→ (simple)	Management.xsd
UnsignedDataObjectPropertiesType	→ (complex)	XAdES-1-3-2.xsd
UnsignedPropertiesType	→ (complex)	XAdES-1-3-2.xsd
UnsignedPropertiesType	→ (complex)	oasis-dssx-1.0-profiles-verification-report-cs1.xsd
UnsignedSignaturePropertiesType	→ (complex)	XAdES-1-3-2.xsd



---

UnsignedSignaturePropertiesType	→ (complex)	oasis-dssx-1.0-profiles-verification-report-cs1.xsd
UpdateActionType	→ (simple)	eCard-Protocols.xsd
UpdateCounterType	→ (complex)	ISO24727-Protocols.xsd
UpdateModuleInfoType	→ (complex)	eCard-Protocols.xsd
UpdatePriorityType	→ (simple)	eCard-Protocols.xsd
UpdateSignatureInstructionType	→ (complex)	oasis-dss-core-schema-v1.0-os.xsd
UpdatedSignatureType	→ (complex)	oasis-dss-core-schema-v1.0-os.xsd
UseVerificationTimeType	→ (complex)	oasis-dss-core-schema-v1.0-os.xsd
ValidityPeriodType	→ (complex)	oasis-dssx-1.0-profiles-verification-report-cs1.xsd
VariantIndicatorType	→ (simple)	CardInfo.xsd
VerificationReportType	→ (complex)	oasis-dssx-1.0-profiles-verification-report-cs1.xsd
VerificationResultType	→ (complex)	oasis-dssx-1.0-profiles-verification-report-cs1.xsd
VerificationTimeInfoType	→ (complex)	oasis-dss-core-schema-v1.0-os.xsd
VerifiedUnderSignaturePolicyType	→ (complex)	oasis-dssx-1.0-profiles-sigpolicy-schema-cd01.xsd
VerifyManifestResultsType	→ (complex)	oasis-dss-core-schema-v1.0-os.xsd
VerifyUnderSignaturePolicyType	→ (complex)	oasis-dssx-1.0-profiles-sigpolicy-schema-cd01.xsd
ViewerConfigurationType	→ (complex)	Management.xsd
WriteBehaviourType	→ (simple)	CardInfo.xsd
X509DataType	→ (complex)	xmldsig-core-schema.xsd
X509IssuerSerialType	→ (complex)	xmldsig-core-schema.xsd
XAdESTimeStampType	→ (complex)	XAdES-1-3-2.xsd

---

## References

- [TR-03110] BSI: TR-03110: Advanced Security Mechanisms for Machine Readable Travel Documents - Extended Access Control (EAC), Password Authenticated Connection Establishment (PACE) and Restricted Identification (RI)
- [TR-03112-2] BSI: TR-03112-2: eCard-API-Framework – Part 2: eCard-Interface
- [TR-03112-3] BSI: TR-03112-3: eCard-API-Framework – Part 3: Management-Interface
- [TR-03112-4] BSI: TR-03112-4: eCard-API-Framework – Part 4: ISO24727-3-Interface
- [TR-03112-5] BSI: TR-03112-5: eCard-API Framework – Part 5: Support- Interface
- [TR-03112-6] BSI: TR-03112-6: eCard-API-Framework – Part 6: IFD-Interface
- [TR-03112-7] BSI: TR-03112-7: eCard-API-Framework – Part 7: Protocols
- [TR-03112-WSDL] BSI: TR-03112-WSDL: eCard-API-Framework – Web Services Description Language Specifications
- [EN14890-1] CEN: EN14890-1: Application Interface for smart cards used as secure signature creation devices - Part 1: Basic services
- [CEN15480-3] CEN: TS 15480-3: Identification card systems —European Citizen Card — Part 3: European Citizen Card Interoperability using an application interface
- [eGK-1] gematik: Specification of the electronic health insurance card - Part 1: Commands, algorithms and functions of the operating system platform, Version 2.2.2
- [RFC2119] IETF: RFC 2119: S. Bradner: Key words for use in RFCs to Indicate Requirement Levels
- [RFC3275] IETF: RFC 3275: D. Eastlake, J. Reagle, D. Solo: (Extensible Markup Language) XMLSignature Syntax and Processing
- [RFC3369] IETF: RFC 3369: R. Housley: Cryptographic Message Syntax (CMS)
- [ISO24727-2] ISO: ISO/IEC 24727-2: Identification Cards — Integrated Circuit Cards Programming Interfaces — Part 2: Generic card interface
- [ISO24727-3] ISO: ISO/IEC 24727-3: Identification Cards — Integrated Circuit Cards Programming Interfaces — Part 3: Application Interface
- [ISO24727-4] ISO: ISO/IEC 24727-4: Identification Cards — Integrated Circuit Cards Programming Interfaces — Part 4: Application programming interface (API) administration
- [ISO639-1] ISO/IEC: ISO 639-1: Codes for the representation of names of languages - Part 1: Alpha-2 code
- [PAOSv2.0] Liberty Alliance Project: Liberty Reverse HTTP Binding for SOAP Specification, Version v2.0
- [AdES] OASIS: Advanced Electronic Signature Profiles of the OASIS Digital Signature Service Version 1.0
- [DSS] OASIS: Digital Signature Service Core Protocols, Elements, and Bindings
- [SOAPv1.1] W3C: W3C Note: Simple Object Access Protocol (SOAP) 1.1
- [WSDL] W3C: W3C Recommendation: Web Services Description Language (WSDL) Version 1.1
- [XMLEnc] W3C: W3C Recommendation: XML Encryption Syntax and Processing

